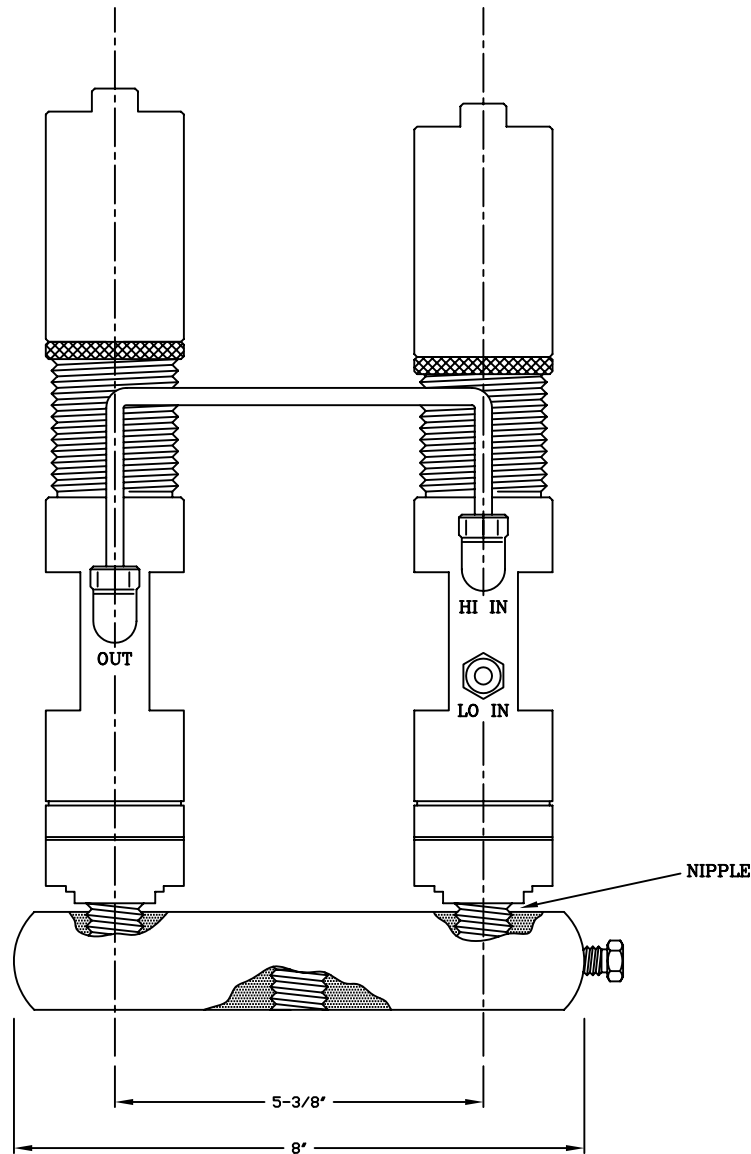


## GENERAL DESCRIPTION

The Ruelco SS Series Pressure Switch Manifold Assembly is used for high and low trip point functions. The manifold assembly can accept many of the Ruelco SS Series pressure switches to provide a wide range of applications. Each assembly is carefully constructed and tested to ensure quality and accuracy.



SS SERIES PRESSURE SWITCH  
HIGH AND LOW ASSEMBLY

SS SERIES  
PRESSURE SWITCH  
MANIFOLD ASSEMBLY

WHILE THIS INFORMATION IS PRESENTED IN GOOD FAITH AND BELIEVED TO BE ACCURATE, RUELCO, INC. DOES NOT GUARANTEE SATISFACTORY RESULTS FROM RELIANCE ON SUCH INFORMATION. NOTHING CONTAINED HEREIN IS TO BE CONSTRUED AS A WARRANTY OR GUARANTEE, EXPRESSED OR IMPLIED, REGARDING THE PERFORMANCE, MERCHANTABILITY, AND FITNESS WITH RESPECT TO THE PRODUCT. RUELCO, INC. RESERVES THE RIGHT, WITHOUT NOTICE, TO ALTER OR IMPROVE THE DESIGNS OR SPECIFICATIONS OF THE PRODUCTS DESCRIBED HEREIN.