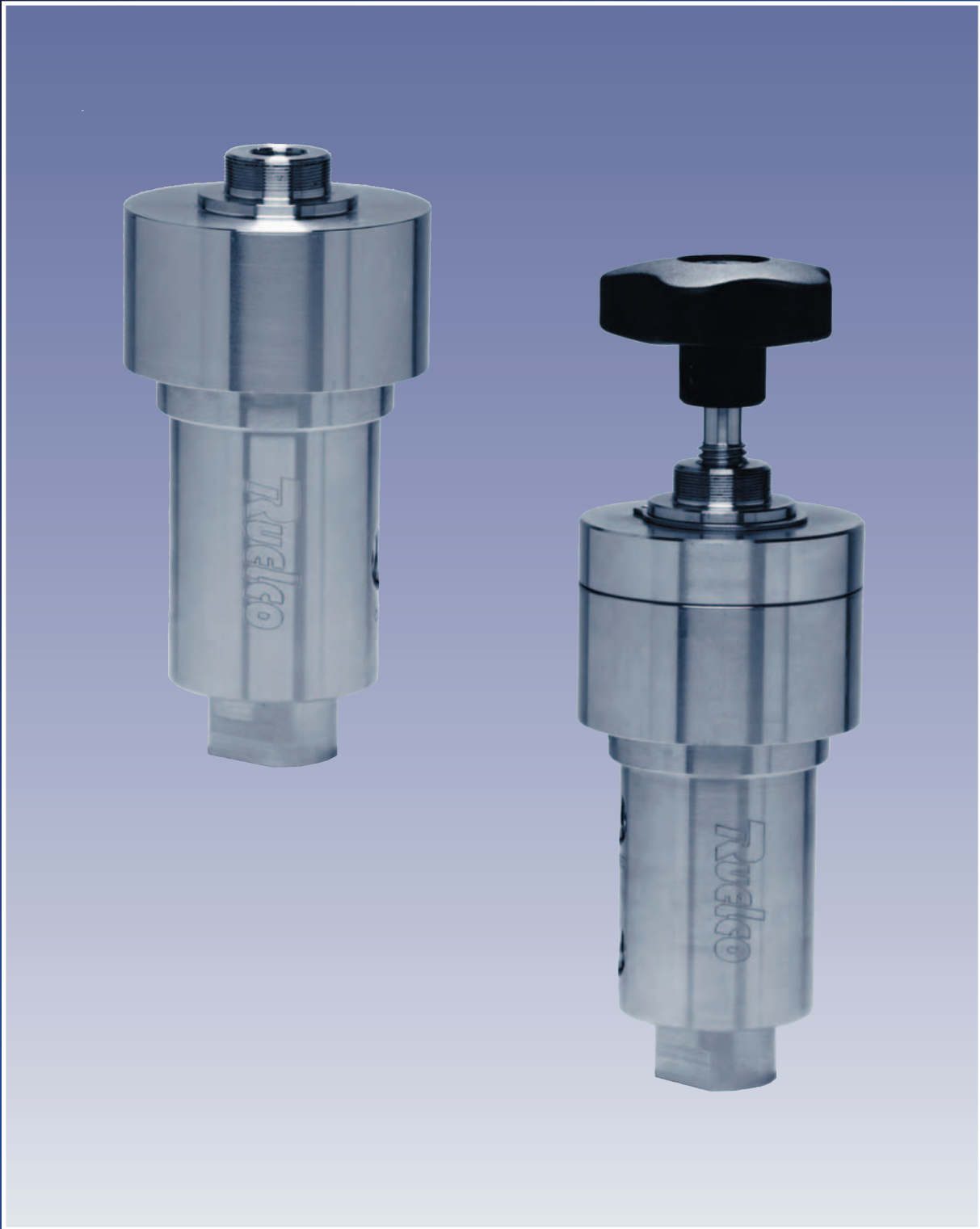


# Ruelco



## Interface Valve

## Model 8100

Phone (504) 340-0055  
Fax (504) 340-0056

# Interface Valve

## Model 8100

### FEATURES

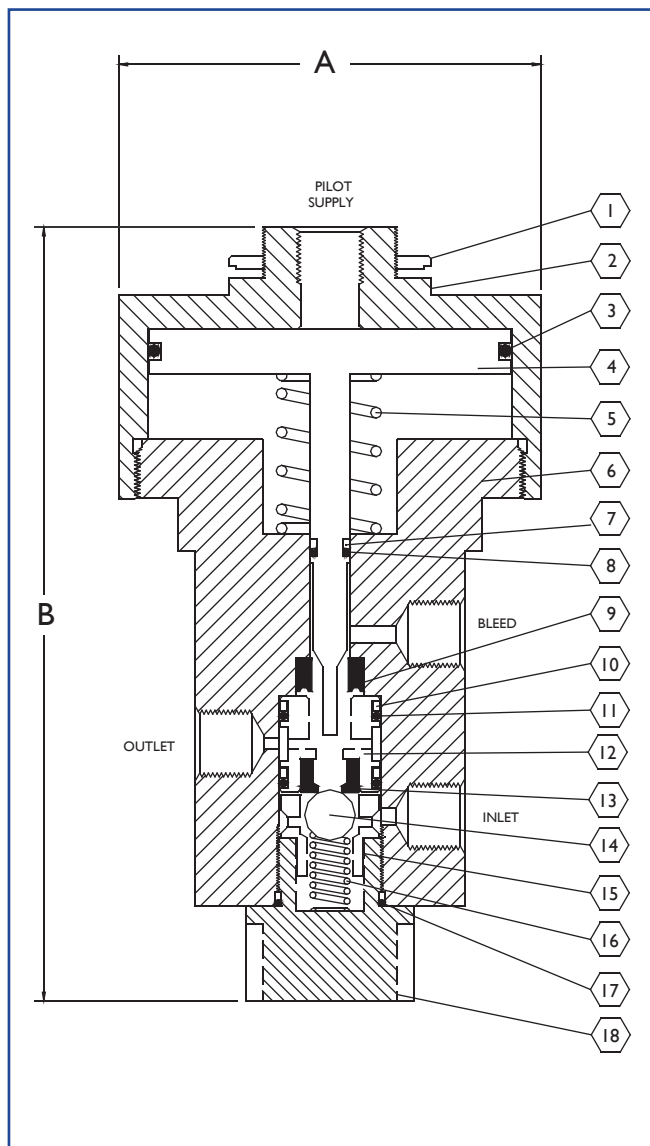
- 316 Stainless steel construction (models to N.A.C.E. MR0175 available).
- Large Cv factor assures fast system response
- All soft seal design
- Design minimizes malfunctions due to supply system debris.

### GENERAL DESCRIPTION:

The Ruelco Interface Valve is a normally closed 3-way block and bleed Hydraulic Controller. The valve allows the system to control pressures as high as 10,000 psi. with a pilot supply pressure of 100 psi. The unique soft seal design ensures zero leakage and also prevents damage from foreign particles. Ruggedly constructed for years of reliable service.

### Parts List For Interface Valve

ITEM	QTY.	DESCRIPTION	MATERIAL	PART NO.
1	1	Panel Mount Nut	Stainless Steel	10-006-000
2	1	Cap	Stainless Steel	81-001-000
3*	1	Piston Seal	Viton	V0-145-75H
4	1	Spool Assembly	Stainless Steel	81-009-000
5	1	Piston Spring	Stainless Steel	81-014-000
6	1	Body	Stainless Steel	81-003-000
7*	1	Spool Back-Up Seal	Teflon	TF-008-75H
8*	1	Spool Seal	Buna	V0-008-90H
9*	1	Shaft Seal	Fluoromyte	FM-250-250
10*	2	Sleeve Back-Up Seal	Teflon	TF-016-75H
11*	2	Sleeve Seal	Buna	N0-016-75H
12	1	Sleeve	Stainless Steel	81-006-000
13*	1	Center Seal	Delrin	81-011-000
14*	1	Ball	Tungsten Carbide	BL-375-10M
15	1	Bottom Sleeve	Stainless Steel	81-005-000
16	1	Seal Spring	Stainless Steel	81-015-000
17*	1	Bottom Cap Seal	Buna	N0-017-75H
18	1	Bottom Cap	Stainless Steel	81-004-000
19	1	Repair Kit for 8100-10000	* Items	81-016-000



### Dimensions

A	3.125 IN (79.4 mm)
B	5.75 IN (146.1 mm)
Panel Mount Hole	1.0 IN (25.4 mm)
Valve Ports	1/4" FNPT
Weight	4.9 LBS (2.30 KG)

### Switch Specifications

Valve Type	3-Way
Max. Supply Pressure	200 PSI.
Outlet Orifice Size	.125 IN.
Ambient Temperature Range	-20° TO 250° F -20° TO 122° C
Sensor Type	Piston
Max. Oper. Pressure	10,000 PSI (680 BAR)
Burst Pressure	20,000 PSI. (1380 BAR)

**Ordering Code: 8100 - 10000**

# Interface Valve with override

## Model 8100

### FEATURES

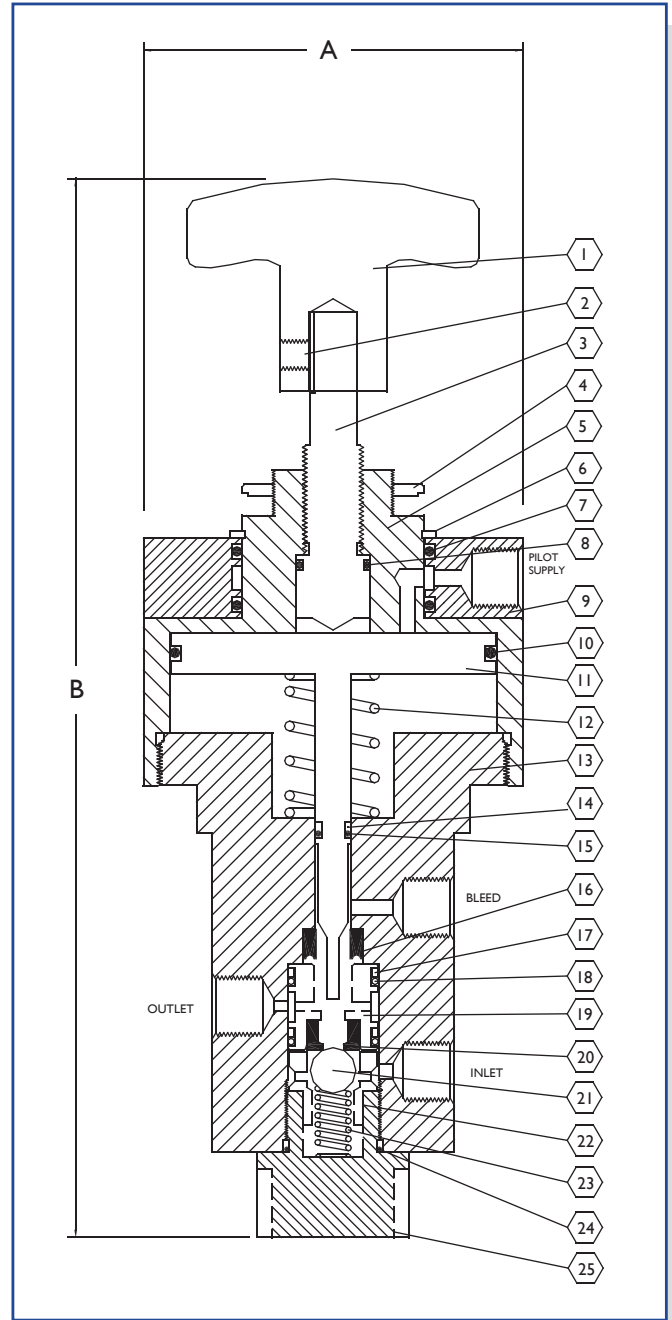
- 316 Stainless steel construction (models to N.A.C.E. MR0175 available).
- Large Cv factor assures fast system response
- All soft seal design
- Design minimizes malfunctions due to supply system debris.

### GENERAL DESCRIPTION:

The Ruelco Interface Valve is a normally closed 3-way block and bleed Hydraulic Controller. The valve allows the system to control pressures as high as 10,000 psi. with a pilot supply pressure of 100 psi. The unique soft seal design ensures zero leakage and also prevents damage from foreign particles. Ruggedly constructed for years of reliable service. The manual override option can be used to manually operate the valve even while at maximum control pressure.

### Parts List For Interface Valve 8100-20000

Item	Qty.	Description	Material	Part No.
1	1	Handle	Technopolymer	81-012-000
2	1	Set Screw	Stainless Steel	T1-08K-0C3
3	1	Override Stem	Stainless Steel	81-010-000
4	1	Panel Mount Nut	Stainless Steel	10-006-000
5	1	Override Cap	Stainless Steel	81-002-000
6	1	Snap Ring	Stainless Steel	SH-150-050
7*	2	Air Ring O-Ring	Viton	V0-125-75H
8*	1	Override Seal	Viton	V0-013-75H
9	1	Air Ring	Stainless Steel	81-013-000
10*	1	Piston Seal	Viton	V0-145-75H
11	1	Spool Assembly	Stainless Steel	81-009-000
12	1	Piston Spring	Stainless Steel	81-014-000
13	1	Body	Stainless Steel	81-003-000
14*	1	Spool Back-Up Seal	Teflon	TF-008-75H
15*	1	Spool Seal	Buna	V0-008-90H
16*	1	Shaft Seal	Fluoromyte	FM-250-250
17*	2	Sleeve Back-Up Seal	Teflon	TF-016-75H
18*	2	Sleeve Seal	Buna	N0-016-75H
19	1	Sleeve	Stainless Steel	81-006-000
20*	1	Center Seal	Delrin	81-011-000
21*	1	Ball	Tungsten Carbide	BL-375-10M
22	1	Bottom Sleeve	Stainless Steel	81-005-000
23	1	Seal Spring	Stainless Steel	81-015-000
24*	1	Bottom Cap Seal	Buna	N0-017-75H
25	1	Bottom Cap	Stainless Steel	81-004-000
26	1	Repair Kit for 8100-20000	* Items	81-017-000



### Dimensions

A	3.125 IN (79.4 mm)
B (MAX.)	8.75 IN (222.3 mm)
Panel Mount Hole	1.0 IN (25.4 mm)
Valve Ports	1/4" FNPT
Weight	5.2 LBS (2.44 KG)

### Switch Specifications

Valve Type	3-Way
Max. Supply Pressure	200 PSI.
Outlet Orifice Size	.125 IN.
Ambient Temperature Range	-20° TO 250° F -20° TO 122° C
Sensor Type	Piston
Max. Oper. Pressure	10,000 PSI (680 BAR)
Burst Pressure	20,000 PSI. (1380 BAR)

**Ordering Code: 8100 - 20000**



## **Hydraulic Controllers**

**SS-H Hydraulic Pilot**

**VC-2 Velocity Check Valve**

**RQ-1 (1/4") Quick Exhaust**

**RQ-2 (1/2") Quick Exhaust**

**Interface Valve**

**RD-1 Dump Valve**

**RD-H Dump Valve**

**Hydraulic Tattletale Indicator**