

High Pressure Fuse Plug

Model 2103

Ruelco



1-800-229-7835
ruelco@ruelco.com

High Pressure Fuse Plug

Temperature Sensor Model 2103

FEATURES

- 316 Stainless Steel Construction (models to N.A.C.E. MRO175 available)
- Leak Free Seal
- Small Compact Design
- Max. W.P. 6,000 psi

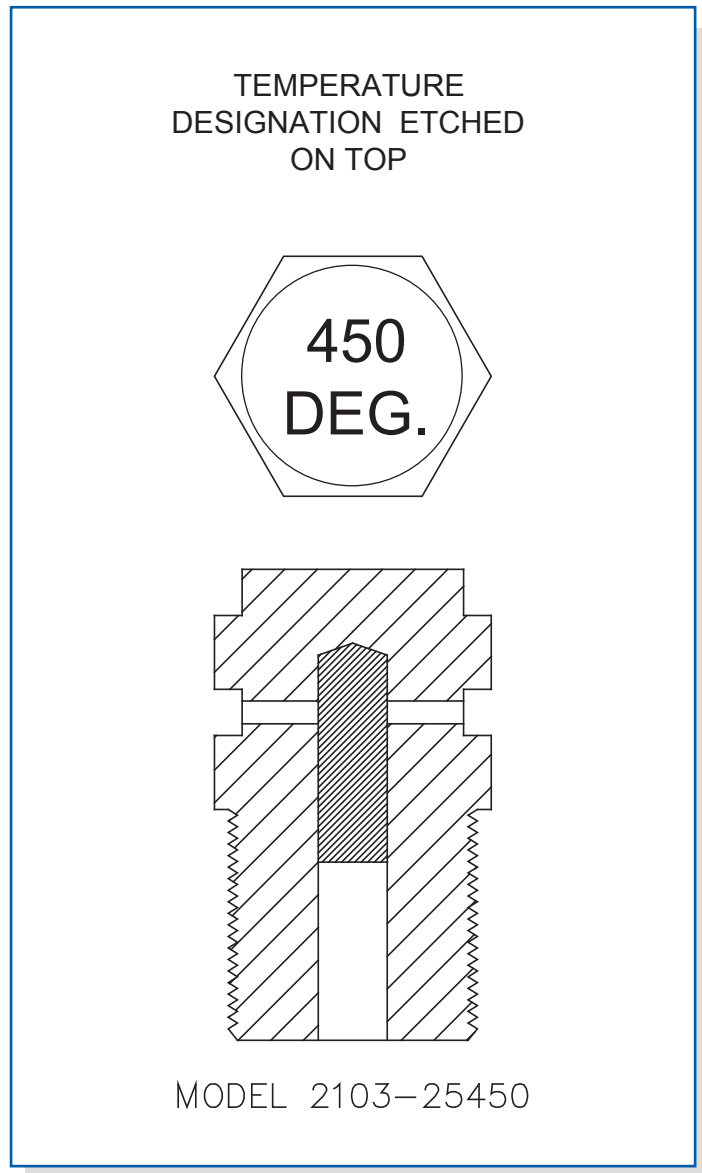
OPTIONS

- 1/4" and 3/8" MNPT Sizes
- 450° F sensing temperature

GENERAL DESCRIPTION:

The Ruelco Fuse Plug is a heat sensitive device designed to vent control pressure. The sensing temperature of the fusible material is clearly marked on each fuse plug to assure proper identification.

The Ruelco fuse plugs are available in 316 stainless steel with various sizes.



Ordering Code: 2103 - XX 450

1/4" MNPT --- 25
3/8" MNPT --- 37