

Ruelco



MP-2 Manual Reset Relay

Model 10A1

1-800-229-7835
ruelco@ruelco.com

MP-2

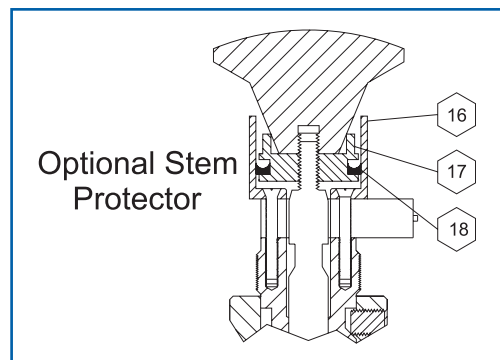
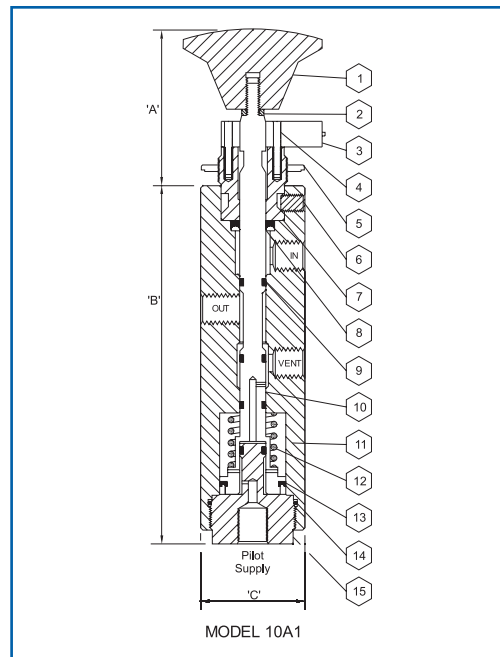
Manual Reset Relay

FEATURES

- 316 stainless steel construction (models to N.A.C.E. MR0175 available).
- Easy to close with pilot signal pressures as high as 100 psi.
- Large Cv factor assures fast system response.
- May be used in pneumatic or hydraulic systems.
- 'Lock Closed' design prevents relay from automatically opening.
- Viton and nitrile seals are utilized for dependability.
- Design minimizes malfunctions due to supply system debris.
- Inconel X-750 springs assures dependability in most corrosive environments.

OPTIONS

- 30 psi closing spring.
- Stem protector to prevent external debris accumulation on relay shaft.
- Double detent assembly.
- Remote reset override.



GENERAL DESCRIPTION:

The Ruelco 'MP-2' relay is a multi-pressure control valve for production control and safety systems. It functions as a manual reset, pilot operated, normally closed, block and bleed valve.

Parts List For Reset Relay Model MP-2

Item	Qty.	Description	Material	Part No.
1A	1	Black Knob	Phenolic	ZO-200-001
1B	—	Red Knob (optional)	Phenolic	ZO-200-002
1C	—	Green Knob (optional)	Phenolic	ZO-200-003
2	1	Lock Nut	316 St. Stl.	T6-08K-0F3
3	1	Detent Assembly	316 St. Stl.	10-005-000
4	2	Screw	316 St. Stl.	T3-632-0G3
5	1	Panel Mount Nut	316 St. Stl.	10-006-000
6	3	Set Screw	316 St. Stl.	T1-08K-0C3
7	1	Mounting Head	316 St. Stl.	10-007-000
8*	1	Head Seal	Nitrile	NU-204-70H
9*	4	Shaft Seal	Viton	VO-009-75H
10	1	Shaft Assembly	316 St. Stl.	10-023-000
11	1	Body	316 St. Stl.	10-020-000
12A	1	20 PSI Spring	Inconel X-750	10-024-000
12B	—	30 PSI Spring	Inconel X-750	10-017-000
13*	1	Piston Seal	Nitrile	NU-209-70H
14*	1	Base Seal	Viton	VO-025-75H
15	1	Base	316 St. Stl.	10-021-000
16	1	Stem Protector Housing	Delrin	10-015-000
17	1	Seal Washer	Delrin	10-016-000
18#	1	Stem Protector Seal	Nitrile	NU-210-70H
19		Rep. Kit W/O Protector	* Items	10-013-0A0
20		Rep. Kit W/ Protector	* & # Items	10-026-000

Specifications P.S.I. (Bar)

Valve Body Max. W.P.	150 (10.3)
Optional Max. W.P.	250 (17.2)
Max. Pilot Cap. W.P.	125 (8.6)
Ambient Temp. Range	-20 to 250 deg. F -29 to 122 deg. C
Minimum Pilot Signal Pressure	27 (1.9) with 35 (2.4) with 30 PSI Spring
Cv Factor	1.7

Dimensions Inch (MM)

'A' (Closed / Open)	2.36/2.7 (60/69.3)
'B'	5.18 (132)
'C'	1.5 (38.1)
Port Size	1/4" NPT
Panel Mount Hole	1.0 (25.4)
Max. Panel Thickness	.18 (4.6)
Weight	2.5 Lb. (1.14 Kg.)

Ordering Code: 10A1 X2 X X X 0

BASE MODEL NUMBER

Standard Corrosive Service - (-)
N.A.C.E. Option - N

Black Knob- B
Red Knob- R
Green Knob- G

0 - Without Stem Protector
P - With Stem Protector

2 - 20 psi Closing Spring
3 - 30 psi Closing Spring