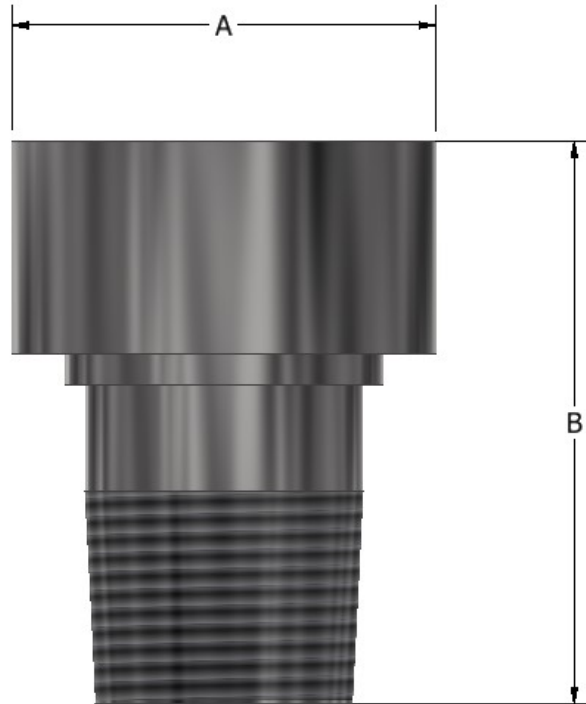


OPERATION

The Ruelco FA-I Flame Arrestor provides protection for the enclosure or the tank contents in case of fire or any possible ignition source. Under normal conditions, the cover prevents rain, dust or other contaminants from entering the enclosure or tank. In the event of a fire, the eutectic material holding the flame arrestor open will melt and the cap will prevent oxygen from reaching the oil tank or enclosure.



FLAME ARRESTOR

DIMENSIONS

	A	B
3/4" NPT	2.00" (50.8 mm)	2.30" (58.4 mm)
1" NPT	2.00" (50.8 mm)	2.65" (67.3 mm)

SPECIFICATIONS

	FLOW RATE (OPEN)	PRESSURE AT MAXIMUM FLOW
3/4" NPT	20 SCFM	5.5 PSI (.38 BAR)
1" NPT	22 SCFM	7.5 PSI (.52 BAR)

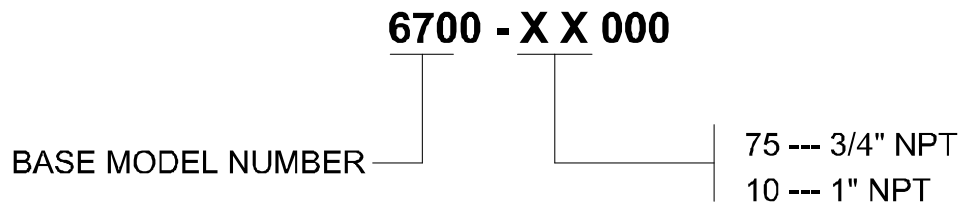
PHONE: 504-340-0055
 FAX: 504-340-0056
 EMAIL: SALES@RUELCO.COM

1209 DISTRIBUTORS ROW
 NEW ORLEANS, LA 70123

PARTS LIST

ITEM	QUANTITY	DESCRIPTION	MATERIAL
1	1	COVER	316 ST. STL.
2	1	EUTECTIC	DELRIN
3	1	CAP	316 ST. STL.
4	1	SPRING	INCONEL
5	1	WASHER	316 ST. STL.
6	1	BOLT	316 ST. STL.
7	1	BODY	316 ST. STL.

ORDERING CODE



FLAME ARRESTOR

PHONE: 504-340-0055
FAX: 504-340-0056
EMAIL: SALES@RUELCO.COM

1209 DISTRIBUTORS ROW
NEW ORLEANS, LA 70123