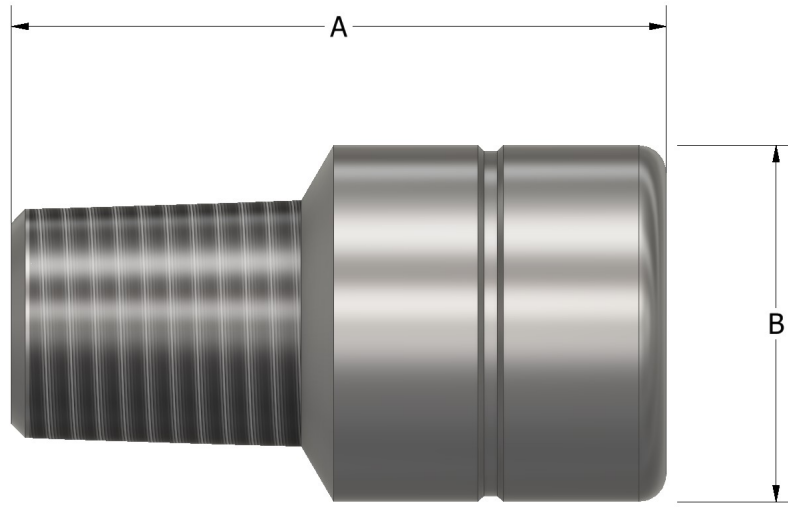


OPERATION

The Ruelco Orifice Nipple is a stainless steel female by male fixed diameter orifice fitting. It is machined within a $\pm.001''$ tolerance to provide precise flow control to any pneumatic or hydraulic system.

FEATURES

- 316 stainless steel construction (models to N.A.C.E. MR0175 available)
- Small compact design
- Exotic materials available



ORIFICE

DIMENSIONS/ SPECIFICATIONS

A	1.45" (36.8 mm)
PORT SIZE	1/4" NPT
WEIGHT	.11 LBS (.05 KG)

ORDERING CODE

90 - 00 X - 0A0

BASE MODEL NUMBER

1 -- .030" DIAMETER
2 -- .020" DIAMETER

PHONE: 504-340-0055
FAX: 504-340-0056
EMAIL: SALES@RUELCO.COM

1209 DISTRIBUTORS ROW
NEW ORLEANS, LA 70123