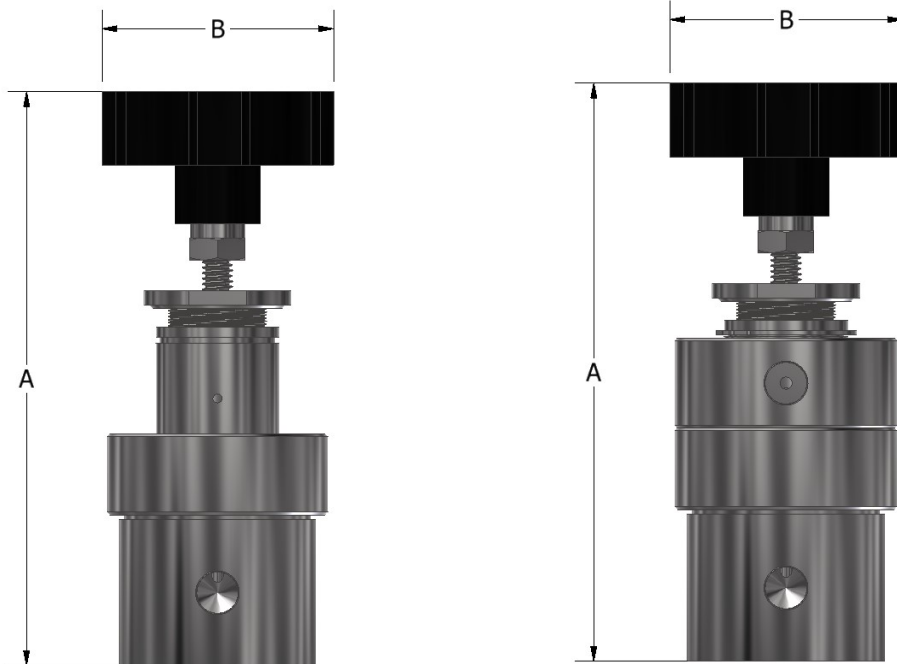


OPERATION

The Ruelco Regulator is a direct acting, rapid response regulator designed to give precise low pressure control of a high pressure inlet signal. With a maximum inlet signal of 6,000 psi, the regulator can accurately deliver between 25-250 psi at the outlet port. To assure clean flow, the regulator comes standard with a 20 micron filter at the inlet connection.

FEATURES

- 316 stainless steel construction (N.A.C.E. model available)
- All soft seal design
- Small compact design
- Simple operation allows for easy repair
- Standard 20 micron filter minimizes malfunctions due to supply system debris



Shown with vent port cover

REGULATOR

DIMENSIONS

A	5.75" (146.3 mm)
B	2.375" (60.3 mm)
PORT SIZES	1/4" FNPT
PANEL MOUNT HOLE	1.0" (25.4 mm)
WEIGHT	2.58 lbs (1.17 kg)

PHONE: 504-340-0055
FAX: 504-340-0056
EMAIL: SALES@RUELCO.COM

1209 DISTRIBUTORS ROW
NEW ORLEANS, LA 70123

PARTS LIST

ITEM	QUANTITY	DESCRIPTION	MATERIAL
1	1	KNOB	PNENOLIC
2	1	OVERRIDE	316 ST. STL.
3	1	LOCK NUT	ST. STL.
4	1	SPRING PLATE	316 ST. STL.
5*	1	SPRING PLATE SEAL	NITRILE
6	1	CAP	316 ST. STL.
7	1	PISTON	316 ST. STL.
8	1	RETAINER	316 ST. STL.
9*	1	RETAINER SEAL	NITRILE
10*	1	SLEEVE SEAL	NITRILE
11	1	SLEEVE	316 ST. STL.
12	1	SPOOL SPRING	ST. STL.
13	1	SPOOL	17-4 ST. STL.
14	-	(OPTIONAL) PANEL MOUN NUT	316 ST. STL.
15*	1	PISTON SEAL	NITRILE
16*	1	SEAL INSERT	316 ST. STL.
17*	1	SEAL	PEEK
18*	1	SNAP RING	ST. STL.
19*	1	MICRON FILTER	ST. STL.
20	1	BODY	316 ST. STL.
21	1	(OPTIONAL) VENT PORT COVER	316 ST. STL.
22	1	(OPTIONAL) SNAP RING	ST. STL.
23#	2	(OPTIONAL) VENT COVER SEALS	NITRILE

* INDICATES ITEMS IN THE REPAIR KIT

ADDITIONAL ITEMS IN OPTIONAL VENT PORT COVER REPAIR KIT

PHONE: 504-340-0055
 FAX: 504-340-0056
 EMAIL: SALES@RUELCO.COM

1209 DISTRIBUTORS ROW
 NEW ORLEANS, LA 70123

REGULATOR

SPECIFICATIONS

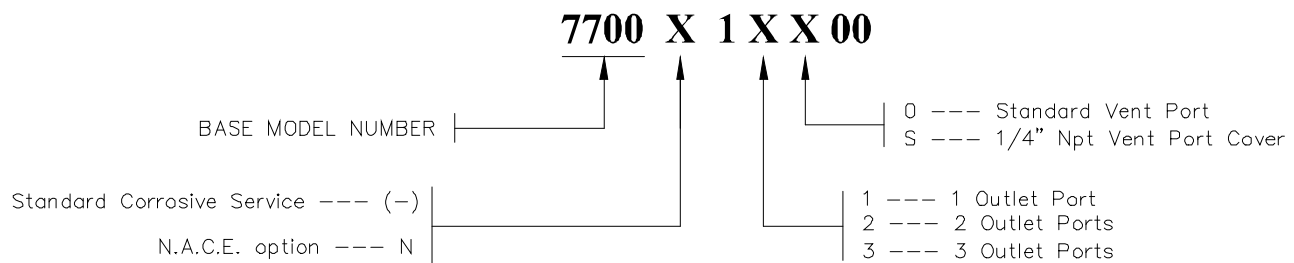
MAXIMUM INLET PRESSURE	6,000 PSI (413 BAR)
MAXIMUM OUTLET PRESSURE	250 PSI (17.2 BAR)
AMBIENT TEMPERATURE RANGE	-20 TO 250° F -29 TO 122° C
Cv FACTOR W/ FILTER	.110
Cv FACTOR W/O FILTER	.012

REPAIR KIT

- 77-014-000

OTHER TEMPERATURE RANGES AND SEAL COMPOUNDS AVAILABLE UPON REQUEST

ORDERING CODE



REGULATOR

PHONE: 504-340-0055
 FAX: 504-340-0056
 EMAIL: SALES@RUELCO.COM

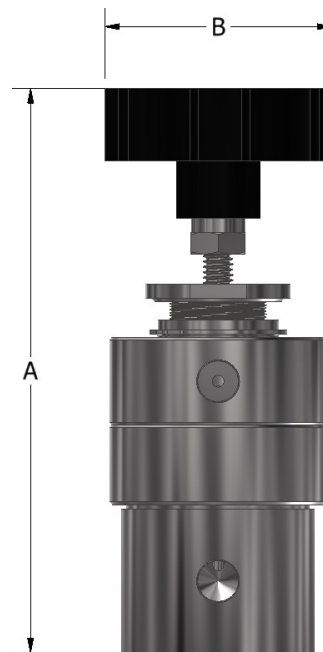
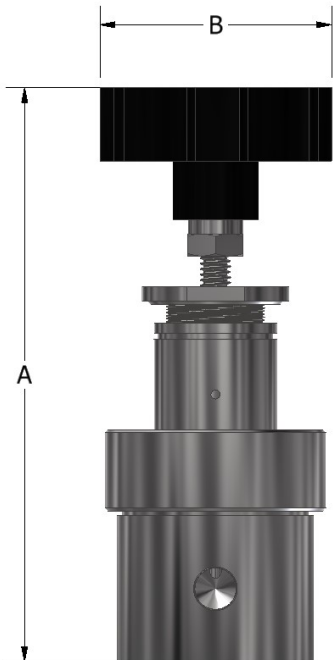
1209 DISTRIBUTORS ROW
 NEW ORLEANS, LA 70123

OPERATION

The Ruelco Self Relieving Regulator is a direct acting, internal venting, rapid response regulator designed to give precise low pressure control of a high pressure inlet signal. With a maximum inlet signal of 6,000 psi, the regulator can accurately deliver between 25-250 psi at the outlet port. The valve will provide instant outlet pressure correction when the knob is turned via the internal venting design. To assure clean flow, the regulator comes standard with a 20 micron filter at the inlet connection.

FEATURES

- 316 stainless steel construction (N.A.C.E. model available)
- All soft seal design
- Small compact design
- Simple operation allows for easy repair
- Standard 20 micron filter minimizes malfunctions due to supply system debris



Shown with vent port cover

DIMENSIONS

A	5.75" (146.3 mm)
B	2.375" (60.3 mm)
PORT SIZES	1/4" FNPT
PANEL MOUNT HOLE	1.0" (25.4 mm)
WEIGHT	2.58 lbs (1.17 kg)

PHONE: 504-340-0055
 FAX: 504-340-0056
 EMAIL: SALES@RUELCO.COM

1209 DISTRIBUTORS ROW
 NEW ORLEANS, LA 70123

SELF RELIEVING REGULATOR

PARTS LIST

SELF RELIEVING REGULATOR

ITEM	QUANTITY	DESCRIPTION	MATERIAL
1	1	KNOB	PNENOLIC
2	1	OVERRIDE	316 ST. STL.
3	1	LOCK NUT	ST. STL.
4	1	SPRING PLATE	316 ST. STL.
5*	1	SPRING PLATE SEAL	NITRILE
6	1	CAP	316 ST. STL.
7	1	SELF RELIEVING PISTON	316 ST. STL.
8	1	SELF RELIEVING SPRING	ST. STL.
9	1	SELF RELIEVING SEAL	NITRILE
10	1	SELF RELIEVING BALL	ST. STL.
11	1	RETAINER	316 ST. STL.
12	1	RETAINER SEAL	NITRILE
13	1	SLEEVE SEAL	NITRILE
14	1	SLEEVE	316 ST. STL.
15	1	SPOOL SPRING	ST. STL.
16	1	SPOOL	17-4 ST. STL.
17	-	(OPTIONAL) PANEL MOUN NUT	316 ST. STL.
18	1	PISTON SEAL	NITRILE
19	1	SEAL INSERT	316 ST. STL.
20	1	SEAL	PEEK
21	1	SNAP RING	ST. STL.
22	1	MICRON FILTER	ST. STL.
23	1	BODY	316 ST. STL.
24	1	(OPTIONAL) VENT PORT COVER	316 ST. STL.
25	1	(OPTIONAL) SNAP RING	ST. STL.
26	2	(OPTIONAL) VENT COVER SEALS	NITRILE

* INDICATES ITEMS IN THE REPAIR KIT

ADDITIONAL ITEMS IN OPTIONAL VENT PORT COVER REPAIR KIT

PHONE: 504-340-0055
 FAX: 504-340-0056
 EMAIL: SALES@RUELCO.COM

1209 DISTRIBUTORS ROW
 NEW ORLEANS, LA 70123

SPECIFICATIONS

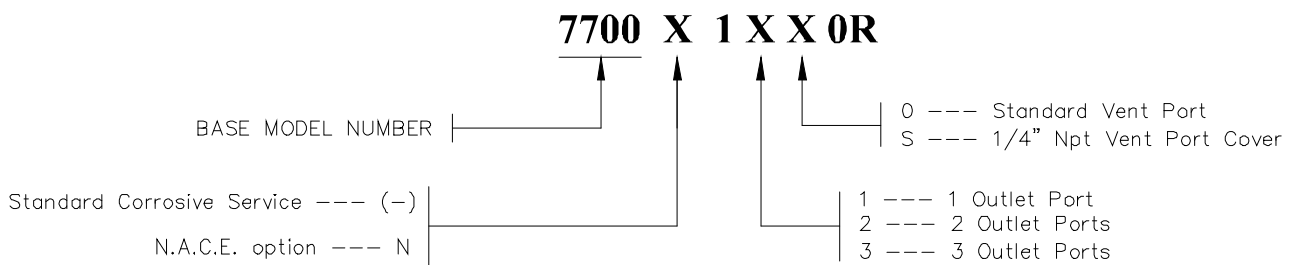
MAXIMUM INLET PRESSURE	6,000 PSI (413 BAR)
MAXIMUM OUTLET PRESSURE	250 PSI (17.2 BAR)
AMBIENT TEMPERATURE RANGE	-20 TO 250° F -29 TO 122° C
Cv FACTOR W/ FILTER	.110
Cv FACTOR W/O FILTER	.012

REPAIR KIT

- 77-023-000

OTHER TEMPERATURE RANGES AND SEAL COMPOUNDS AVAILABLE UPON REQUEST

ORDERING CODE



SELF RELIEVING REGULATOR

PHONE: 504-340-0055
 FAX: 504-340-0056
 EMAIL: SALES@RUELCO.COM

1209 DISTRIBUTORS ROW
 NEW ORLEANS, LA 70123