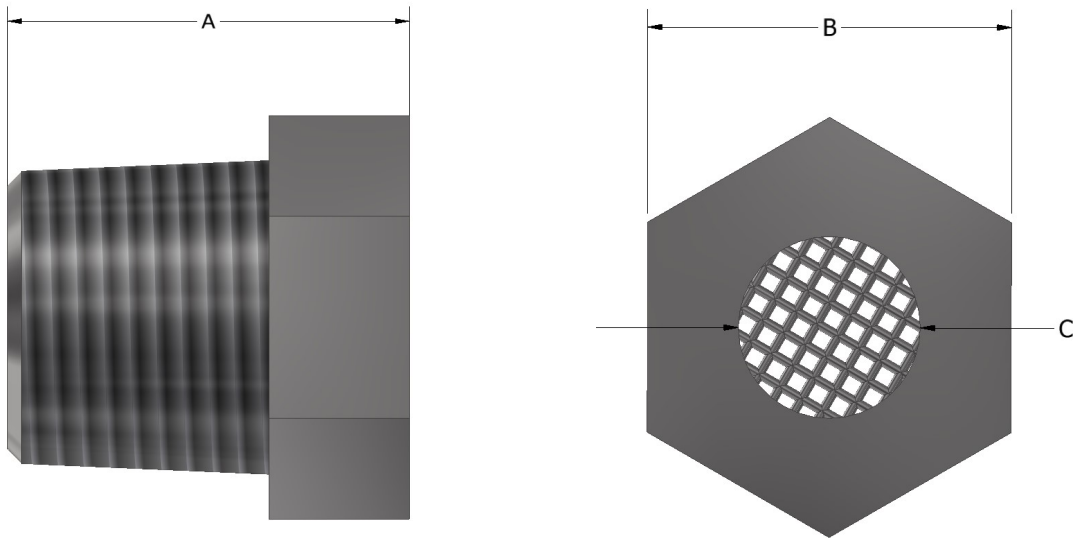


OPERATION

The Ruelco Vent Screen is manufactured with an all stainless steel construction and is used to prevent debris or insects from blocking the vent port of pneumatic valves. The Ruelco vent screen is available in four standard NPT sizes.



VENT SCREEN

DIMENSION

NPT SIZE	A	B	C
1/8"	.550" (13.97 mm)	.435" (11.05 mm)	.187" (4.75 mm)
1/4"	.770" (19.56 mm)	.563" (14.30 mm)	.281" (7.14 mm)
3/8"	.860" (21.84 mm)	.745" (18.92 mm)	.375" (9.53 mm)
1/2"	1.10" (27.984 mm)	.875" (22.23 mm)	.438" (11.12 mm)

ORDERING

91 - 0XX - XXX

1/8" MNPT --- 01
 1/4" MNPT --- 02
 3/8" MNPT --- 03
 1/2" MNPT --- 04

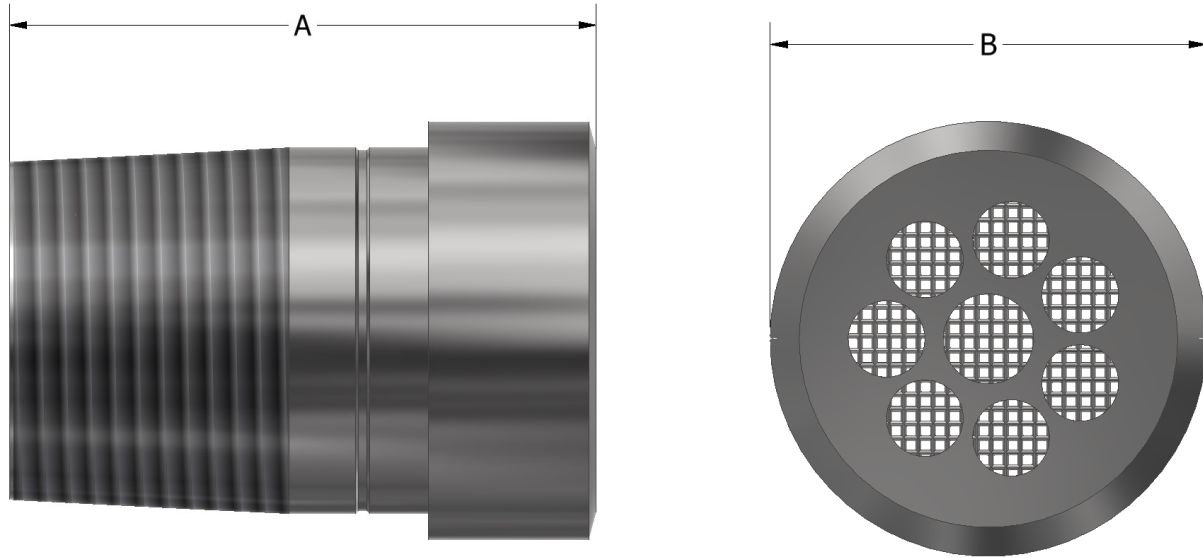
000 -- 316 ST. STL.
 002 -- INCONEL 625
 003 -- MONEL
 009 -- 6 MO

PHONE: 504-340-0055
 FAX: 504-340-0056
 EMAIL: SALES@RUELCO.COM

1209 DISTRIBUTORS ROW
 NEW ORLEANS, LA 70123

OPERATION

The Ruelco Large Vent Screen is a three part assembly manufactured with an all stainless steel construction and is used to prevent debris or insects from blocking the vent port of pneumatic valves. These vent screens can withstand pressures up to 200 psi while still providing the necessary flow rates required to quickly shut down large pneumatic actuator valves.



LARGE VENT SCREEN

DIMENSION

NPT SIZE	A	B	MAXIMUM FLOW RATE
1"	2.00" (50.8 mm)	1.50" (38.1 mm)	3.6 SCFM
1-1/2"	2.74" (69.6 mm)	2.125" (53.9 mm)	10.4 SCFM
2"	2.74" (69.6 mm)	2.44" (61.9 mm)	16.5 SCFM

ORDERING CODE

91 - 0XX - 080

1" MNPT --- 10
 1-1/2" MNPT --- 15
 2" MNPT --- 20

PHONE: 504-340-0055
 FAX: 504-340-0056
 EMAIL: SALES@RUELCO.COM

1209 DISTRIBUTORS ROW
 NEW ORLEANS, LA 70123