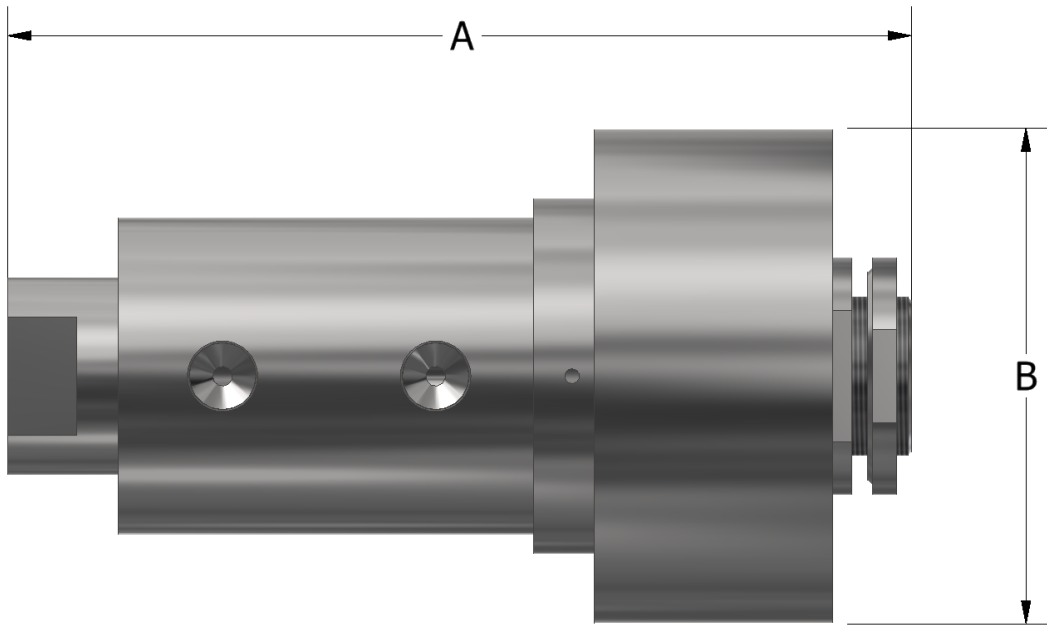


OPERATION

The Ruelco Interface Valve is a normally closed, 3-way, block then bleed hydraulic controller. The valve allows the user to control pressures as high as 10,000 psi with a pilot supply pressure of 100 psi. The fully block then bleed design ensures zero cross bleed between the inlet and vent ports. The unique soft seal design ensures zero leakage and also prevents damage from foreign particles and debris. The 8100 interface valve is ruggedly constructed for years of reliable field service.

FEATURES

- 316 stainless steel construction (models to N.A.C.E. MR0175 available)
- Large Cv factor assures fast system response
- All soft seal design
- Design minimizes malfunctions due to supply system debris



DIMENSIONS

A	5.75" (146.1 mm)
B	3.125" (79.4 mm)
PANEL MOUNT HOLE	1.0" (25.4 mm)
HYDRAULIC CONNECTION PORTS	1/4" FNPT
PILOT CONNECTION PORT	1/4" FNPT
WEIGHT	4.9 lbs (2.44 KG)

PHONE: 504-340-0055
FAX: 504-340-0056
EMAIL: SALES@RUELCO.COM

1209 DISTRIBUTORS ROW
NEW ORLEANS, LA 70123

3-WAY HYDRAULIC CONTROLLER

SPECIFICATIONS

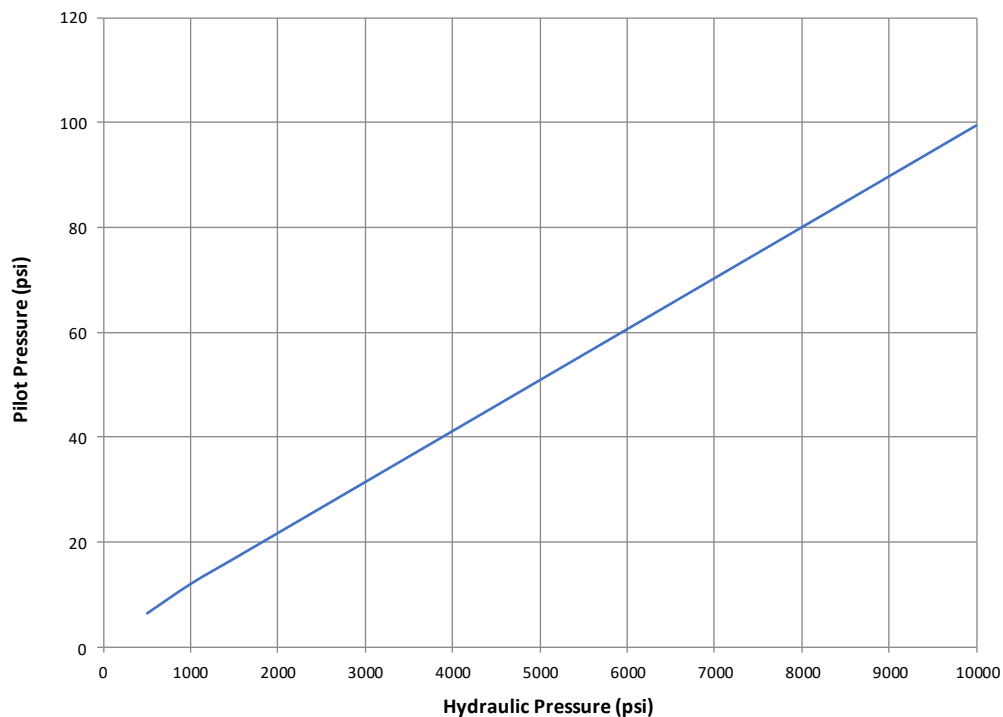
MAXIMUM INSTRUMENT PRESSURE	200 PSI (13.8 BAR)
MAXIMUM WORKING PRESSURE	10,000 PSI (680 BAR)
BURST PRESSURE	20,000 PSI (1380 BAR)
OUTLET ORIFICE SIZE	.125" (3.18 mm)
AMBIENT TEMPERATURE RANGE	-20° TO 250° F -20° TO 122° C

REPAIR KIT

- 81-016-000

OTHER TEMPERATURE RANGES
AND SEAL COMPOUNDS AVAILABLE
UPON REQUEST

CONTROL PRESSURE CHART



3-WAY HYDRAULIC CONTROLLER

PHONE: 504-340-0055
FAX: 504-340-0056
EMAIL: SALES@RUELCO.COM

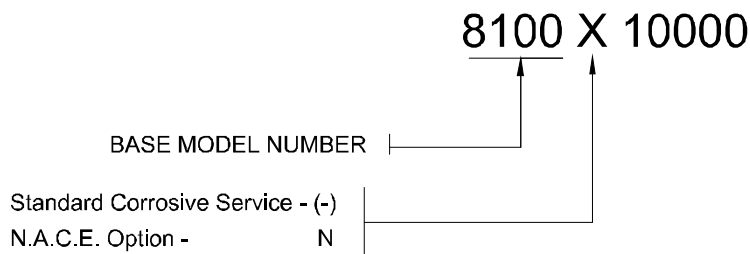
1209 DISTRIBUTORS ROW
NEW ORLEANS, LA 70123

PARTS LIST

ITEM	QUANTITY	DESCRIPTION	MATERIAL
1	1	PANEL MOUNT NUT	316 ST. STL.
2	1	CAP	316 ST. STL.
3*	1	PISTON SEAL	FLUOROCARBON
4	1	SPOOL ASSEMBLY	17-4 ST. STL. & 316 ST. STL.
5	1	PISTON SPRING	316 ST. STL.
6	1	BODY	316 ST. STL.
7*	1	SPOOL BACK-UP SEAL	TEFLON
8*	1	SPOOL SEAL	NITRILE
9*	1	SHAFT SEAL	FLUOROMYTE
10*	1	SHAFT SEAL BACKUP	PEEK
11*	2	SLEEVE BACK-UP SEAL	TEFLON
12*	2	SLEEVE SEAL	NITRILE
13	1	SLEEVE	316 ST. STL.
14*	1	CENTER SEAL	PEEK
15*	1	BALL	TUNGSTEN CARBIDE
16	1	BOTTOM SLEEVE	316 ST. STL.
17	1	SPRING	316 ST. STL.
18*	1	BOTTOM CAP SEAL	NITRILE
19	1	BOTTOM CAP	316 ST. STL.

*Indicates item(s) contained in the Repair Kit

ORDERING CODE



PHONE: 504-340-0055
 FAX: 504-340-0056
 EMAIL: SALES@RUELCO.COM

1209 DISTRIBUTORS ROW
 NEW ORLEANS, LA 70123

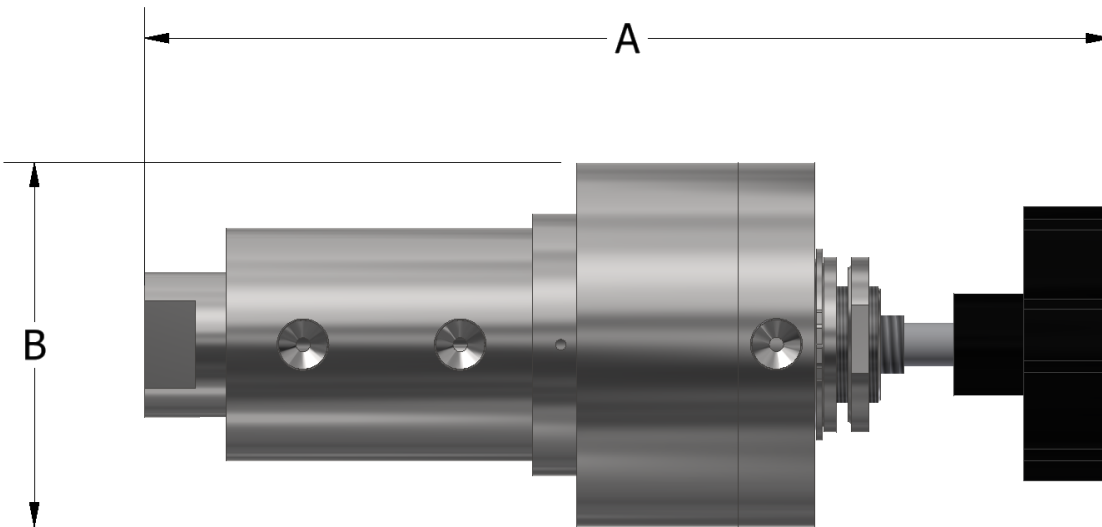
3-WAY HYDRAULIC CONTROLLER

OPERATION

The Ruelco Interface Valve with override is a normally closed, 3-way, block then bleed hydraulic controller. The valve allows the user to control pressures as high as 10,000 psi with a pilot supply pressure of 100 psi. The fully block then bleed design ensures zero cross bleed between the inlet and vent ports. The unique soft seal design ensures zero leakage and also prevents damage from foreign particles and debris. By using the screw down manual override handle, the valve can be locked open for system testing. The unique pilot ring allows for a 360 degree rotation of the pilot supply port, to aide in proper alignment. The 8100 interface valve is ruggedly constructed for years of reliable field service.

FEATURES

- 316 stainless steel construction (models to N.A.C.E. MR0175 available)
- Large Cv factor assures fast system response
- All soft seal design
- Design minimizes malfunctions due to supply system debris.
- Manual override for locking valve open for testing



DIMENSIONS

A	8.75" (222.3 mm)
B	3.125" (79.4 mm)
PANEL MOUNT HOLE	1.0" (25.4 mm)
HYDRAULIC CONNECTION PORTS	1/4" FNPT
PILOT CONNECTION PORT	1/4" FNPT
WEIGHT	6.03 lbs (2.73 KG)

PHONE: 504-340-0055
 FAX: 504-340-0056
 EMAIL: SALES@RUELCO.COM

1209 DISTRIBUTORS ROW
 NEW ORLEANS, LA 70123

SPECIFICATIONS

MAXIMUM INSTRUMENT PRESSURE	200 PSI (13.8 BAR)
MAXIMUM WORKING PRESSURE	10,000 PSI (680 BAR)
BURST PRESSURE	20,000 PSI (1380 BAR)
OUTLET ORIFICE SIZE	.125" (3.18 mm)
AMBIENT TEMPERATURE RANGE	-20° TO 250° F -20° TO 122° C

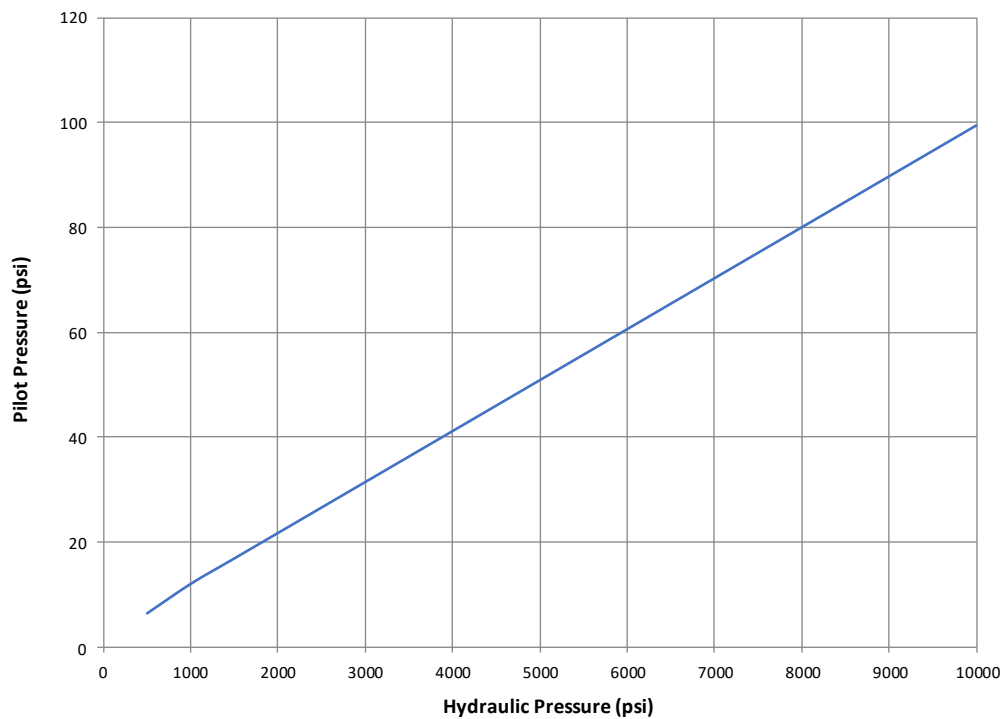
REPAIR KIT

- 81-017-000

OTHER TEMPERATURE RANGES
AND SEAL COMPOUNDS AVAILABLE
UPON REQUEST

3-WAY HYDRAULIC OVERRIDE CONTROLLER

CONTROL PRESSURE CHART



PHONE: 504-340-0055
FAX: 504-340-0056
EMAIL: SALES@RUELCO.COM

1209 DISTRIBUTORS ROW
NEW ORLEANS, LA 70123

PARTS LIST

ITEM	QUANTITY	DESCRIPTION	MATERIAL
1	1	KNOB	PLASTIC
2	1	PANEL MOUNT NUT	316 ST. STL.
3	1	OVERRIDE	NITRONIC
4*	1	OVERRIDE SEAL	FLUOROCARBON
5	1	CAP	316 ST. STL.
6	1	SNAP RING	316 ST. STL.
7	1	AIR RING	316 ST. STL.
8*	2	AIR RING SEALS	FLUOROCARBON
9*	1	PISTON SEAL	FLUOROCARBON
10	1	SPOOL ASSEMBLY	17-4 ST. STL. & 316 ST. STL.
11	1	PISTON SPRING	316 ST. STL.
12	1	BODY	316 ST. STL.
13*	1	SPOOL BACK-UP SEAL	TEFLON
14*	1	SPOOL SEAL	NITRILE
15*	1	SHAFT SEAL	FLUOROMYTE
16*	1	SHAFT SEAL BACKUP	PEEK
17*	2	SLEEVE BACK-UP SEAL	TEFLON
18*	2	SLEEVE SEAL	NITRILE
19	1	SLEEVE	316 ST. STL.
20*	1	CENTER SEAL	PEEK
21*	1	BALL	TUNGSTEN CARBIDE
22	1	BOTTOM SLEEVE	316 ST. STL.
23	1	SPRING	316 ST. STL.
24*	1	BOTTOM CAP SEAL	NITRILE
25	1	BOTTOM CAP	316 ST. STL.

*Indicates item(s) contained in the Repair Kit

ORDERING CODE

8100 X 20000

BASE MODEL NUMBER

Standard Corrosive Service - (-)
N.A.C.E. Option - N

PHONE: 504-340-0055
FAX: 504-340-0056
EMAIL: SALES@RUELCO.COM

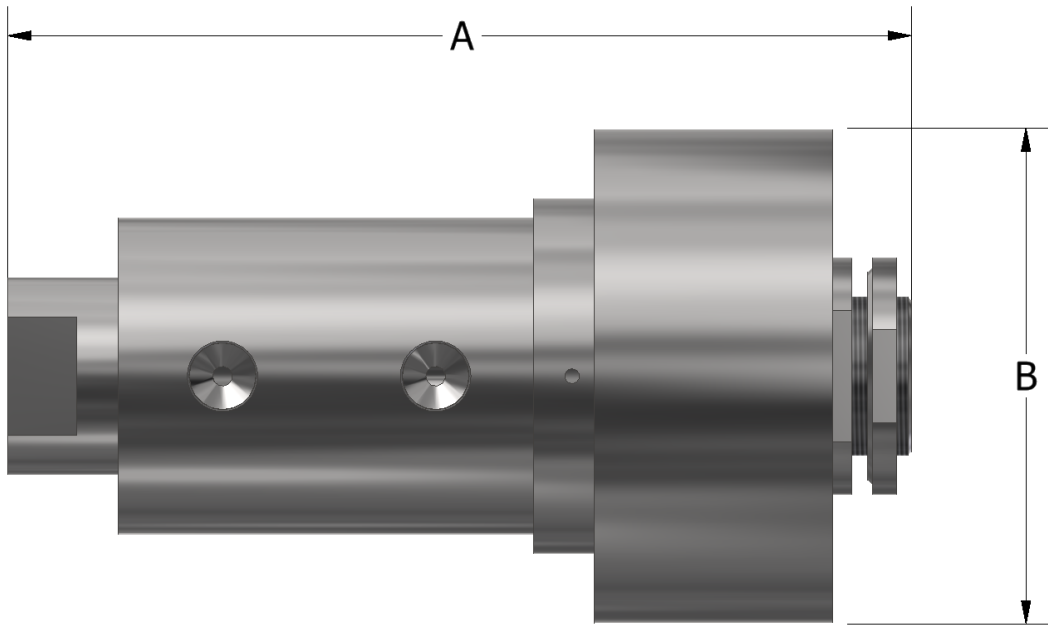
1209 DISTRIBUTORS ROW
NEW ORLEANS, LA 70123

OPERATION

The Ruelco Interface Valve is a normally closed, 3-way, block then bleed Hydraulic Controller. The valve allows the user to control pressures as high as 10,000 psi with a pilot supply pressure of up to 6,000 psi. The fully block then bleed design ensures zero cross bleed between the inlet and vent ports. The unique soft seal design ensures zero leakage and also prevents damage from foreign particles and debris. The 8100 interface valve is ruggedly constructed for years of reliable field service.

FEATURES

- 316 stainless steel construction (models to N.A.C.E. MR0175 available)
- Large Cv factor assures fast system response
- All soft seal design
- Design minimizes malfunctions due to supply system debris



DIMENSIONS

A	5.75" (146.1 mm)
B	3.125" (79.4 mm)
PANEL MOUNT HOLE	1.0" (25.4 mm)
HYDRAULIC CONNECTION PORTS	1/4" FNPT
PILOT CONNECTION PORT	1/4" FNPT
WEIGHT	5.5 lbs (2.58 KG)

PHONE: 504-340-0055
 FAX: 504-340-0056
 EMAIL: SALES@RUELCO.COM

1209 DISTRIBUTORS ROW
 NEW ORLEANS, LA 70123

SPECIFICATIONS

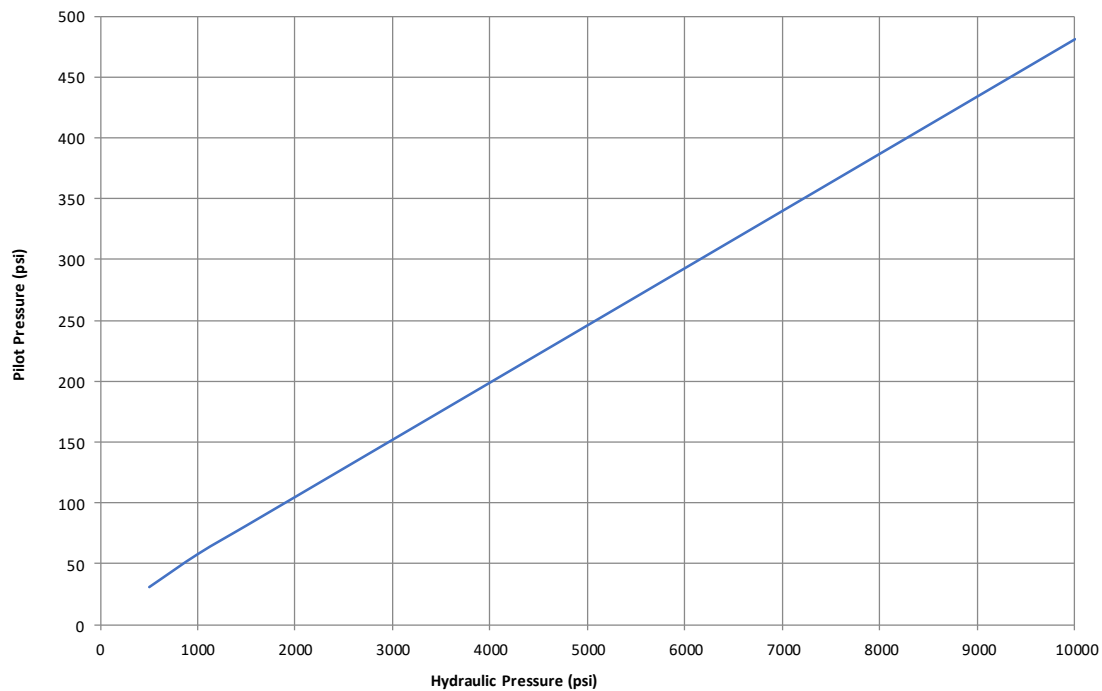
MAXIMUM INSTRUMENT PRESSURE	6,000 PSI (414 BAR)
MAXIMUM WORKING PRESSURE	10,000 PSI (680 BAR)
BURST PRESSURE	20,000 PSI (1380 BAR)
OUTLET ORIFICE SIZE	.125" (3.18 mm)
AMBIENT TEMPERATURE RANGE	-20° TO 250° F -20° TO 122° C

REPAIR KIT

- 81-023-000
- OTHER TEMPERATURE RANGES
AND SEAL COMPOUNDS AVAILABLE
UPON REQUEST

3-WAY HIGH PILOT HYDRAULIC CONTROLLER

CONTROL PRESSURE CHART



PHONE: 504-340-0055
FAX: 504-340-0056
EMAIL: SALES@RUELCO.COM

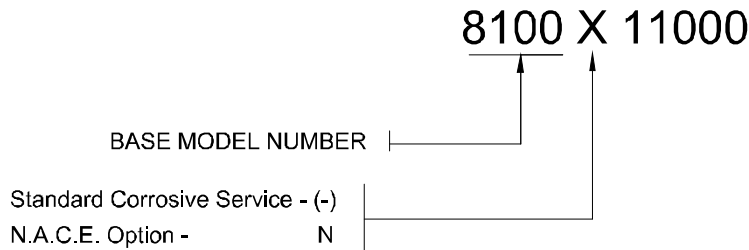
1209 DISTRIBUTORS ROW
NEW ORLEANS, LA 70123

PARTS LIST

ITEM	QUANTITY	DESCRIPTION	MATERIAL
1	1	PANEL MOUNT NUT	316 ST. STL.
2	1	CAP	316 ST. STL.
3*	1	PISTON SEAL	FLUOROCARBON
4	1	SPOOL ASSEMBLY	17-4 ST. STL. & 316 ST. STL.
5	1	PISTON SPRING	316 ST. STL.
6	1	BODY	316 ST. STL.
7*	1	SPOOL BACK-UP SEAL	TEFLON
8*	1	SPOOL SEAL	NITRILE
9*	1	SHAFT SEAL	FLUOROMYTE
10*	1	SHAFT SEAL BACKUP	PEEK
11*	2	SLEEVE BACK-UP SEAL	TEFLON
12*	2	SLEEVE SEAL	NITRILE
13	1	SLEEVE	316 ST. STL.
14*	1	CENTER SEAL	PEEK
15*	1	BALL	TUNGSTEN CARBIDE
16	1	BOTTOM SLEEVE	316 ST. STL.
17	1	SPRING	316 ST. STL.
18*	1	BOTTOM CAP SEAL	NITRILE
19	1	BOTTOM CAP	316 ST. STL.

*Indicates item(s) contained in the Repair Kit

ORDERING CODE



PHONE: 504-340-0055
 FAX: 504-340-0056
 EMAIL: SALES@RUELCO.COM

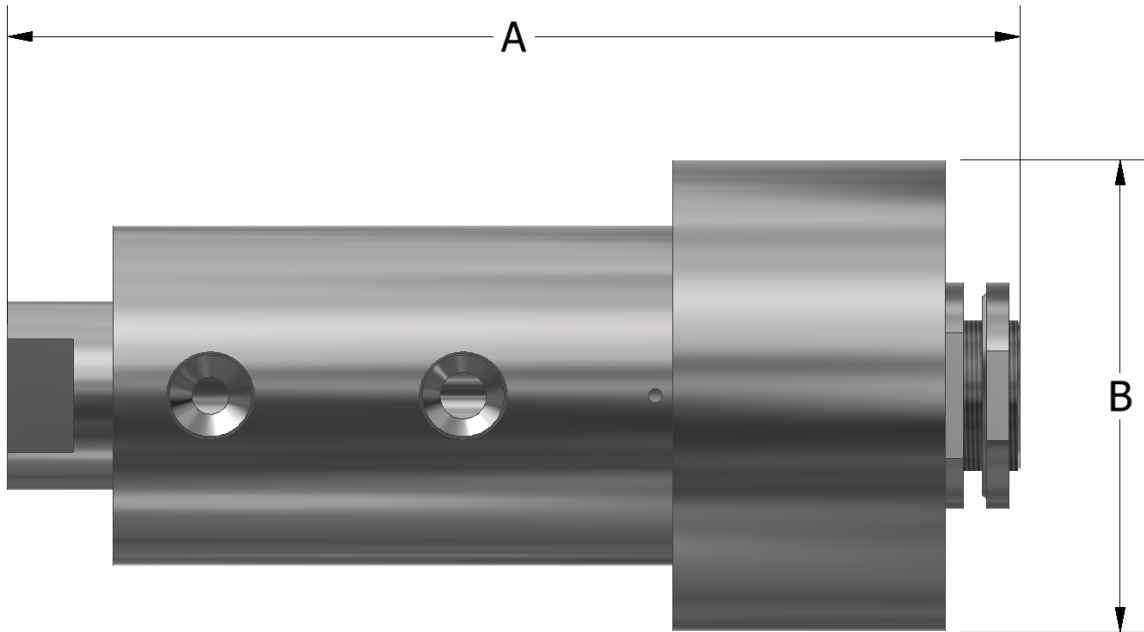
1209 DISTRIBUTORS ROW
 NEW ORLEANS, LA 70123

OPERATION

The Ruelco High Flow Interface Valve is a normally closed, 3-way, block then bleed hydraulic controller. The valve allows the user to control pressures as high as 6,000 psi with a pilot supply pressure of 100 psi. The fully block then bleed design ensures zero cross bleed between the inlet and vent ports. The unique soft seal design ensures zero leakage and also prevents damage from foreign particles and debris. The 8300 interface valve is ruggedly constructed for years of reliable field service.

FEATURES

- 316 stainless steel construction (models to N.A.C.E. MR0175 available)
- Large Cv factor assures fast system response
- All soft seal design
- Design minimizes malfunctions due to supply system debris



DIMENSIONS

A	6.75" (171.4 mm)
B	3.125" (79.4 mm)
PANEL MOUNT HOLE	1.0" (25.4 mm)
HYDRAULIC CONNECTION PORTS	3/8" FNPT
PILOT CONNECTION PORT	1/4" FNPT
WEIGHT	6.8 lbs (3.08 KG)

PHONE: 504-340-0055
 FAX: 504-340-0056
 EMAIL: SALES@RUELCO.COM

1209 DISTRIBUTORS ROW
 NEW ORLEANS, LA 70123

SPECIFICATIONS

MAXIMUM INSTRUMENT PRESSURE	200 PSI (13.8 BAR)
MAXIMUM WORKING PRESSURE	6,000 PSI (414 BAR)
BURST PRESSURE	7,500 PSI (517 BAR)
OUTLET ORIFICE SIZE	.312" (7.93 mm)
AMBIENT TEMPERATURE RANGE	-20° TO 250° F -20° TO 122° C

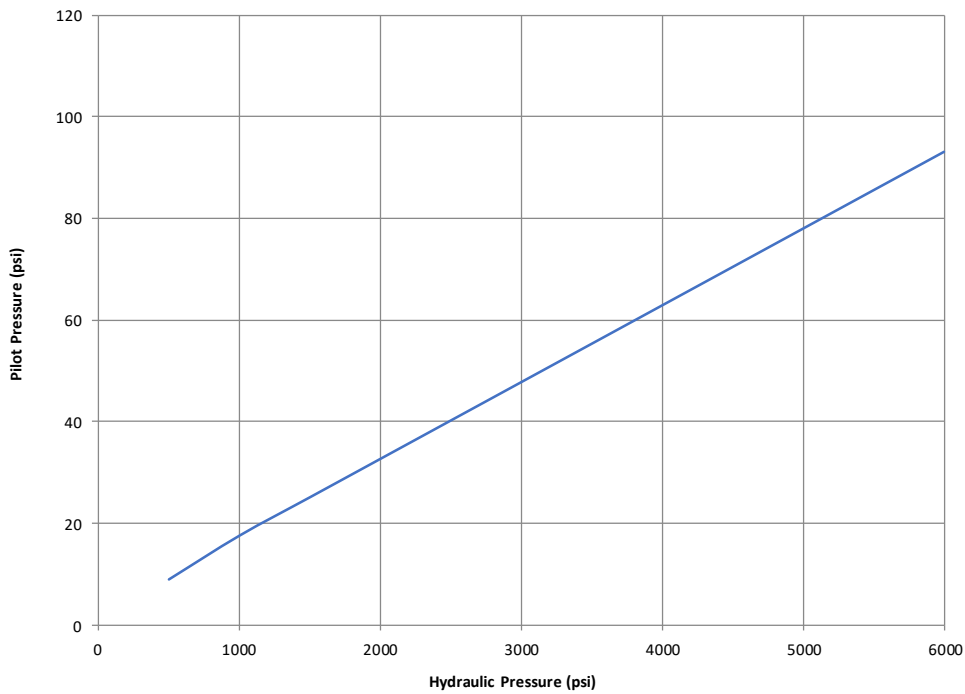
REPAIR KIT

- 81-036-000

OTHER TEMPERATURE RANGES
AND SEAL COMPOUNDS AVAILABLE
UPON REQUEST

3-WAY HIGH FLOW HYDRAULIC CONTROLLER

CONTROL PRESSURE CHART



PHONE: 504-340-0055
FAX: 504-340-0056
EMAIL: SALES@RUELCO.COM

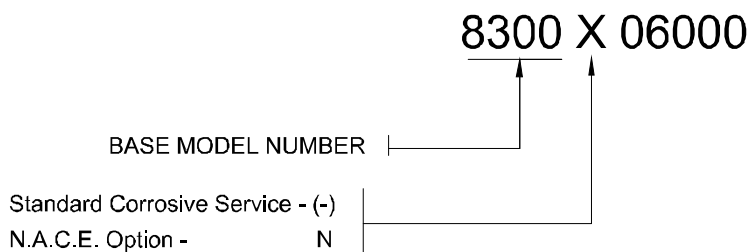
1209 DISTRIBUTORS ROW
NEW ORLEANS, LA 70123

PARTS LIST

ITEM	QUANTITY	DESCRIPTION	MATERIAL
1	1	PANEL MOUNT NUT	316 ST. STL.
2	1	CAP	316 ST. STL.
3*	1	PISTON SEAL	FLUOROCARBON
4	1	SPOOL ASSEMBLY	17-4 ST. STL. & 316 ST. STL.
5	1	PISTON SPRING	316 ST. STL.
6	1	BODY	316 ST. STL.
7*	1	SPOOL BACK-UP SEAL	TEFLON
8*	1	SPOOL SEAL	NITRILE
9*	1	SHAFT SEAL	FLUOROMYTE
10*	2	SLEEVE BACK-UP SEAL	TEFLON
11*	2	SLEEVE SEAL	NITRILE
12	1	SLEEVE	17-4 ST. STL.
13*	1	CENTER SEAL	PEEK
14*	1	BALL	TUNGSTEN CARBIDE
15	1	BOTTOM SLEEVE	316 ST. STL.
16	1	SPRING	316 ST. STL.
17*	1	BOTTOM CAP SEAL	NITRILE
18	1	BOTTOM CAP	316 ST. STL.

*Indicates item(s) contained in the Repair Kit

ORDERING CODE



PHONE: 504-340-0055
 FAX: 504-340-0056
 EMAIL: SALES@RUELCO.COM

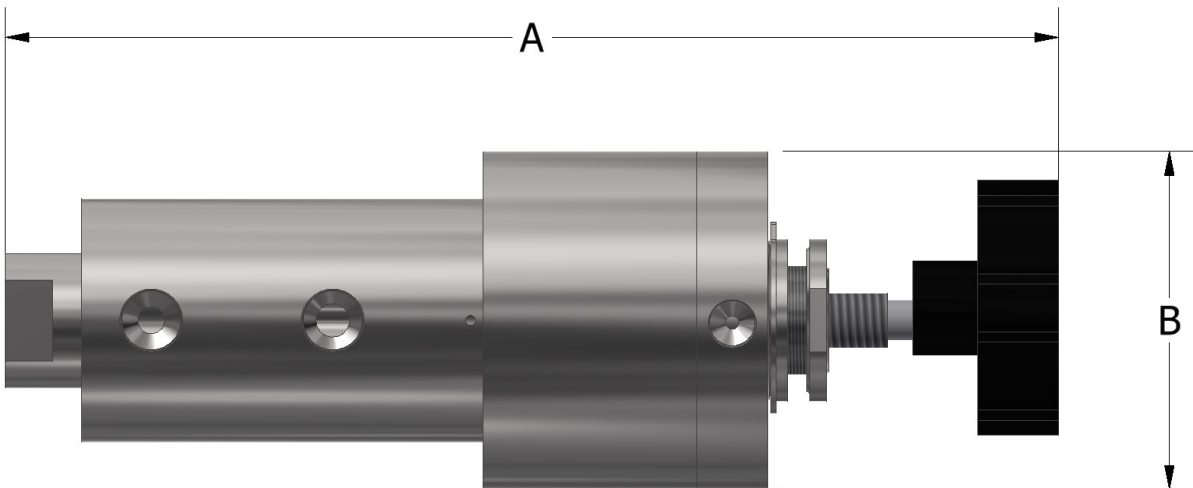
1209 DISTRIBUTORS ROW
 NEW ORLEANS, LA 70123

OPERATION

The Ruelco High Flow Interface Valve is a normally closed, 3-way, block then bleed hydraulic controller. The valve allows the user to control pressures as high as 6,000 psi with a pilot supply pressure of 100 psi. The fully block then bleed design ensures zero cross bleed between the inlet and vent ports. The unique soft seal design ensures zero leakage and also prevents damage from foreign particles and debris. The 8300 interface valve is ruggedly constructed for years of reliable field service.

FEATURES

- 316 stainless steel construction (models to N.A.C.E. MR0175 available)
- Large Cv factor assures fast system response
- All soft seal design
- Design minimizes malfunctions due to supply system debris



DIMENSIONS

A	9.62" (244.35 mm)
B	3.125" (79.4 mm)
PANEL MOUNT HOLE	1.0" (25.4 mm)
HYDRAULIC CONNECTION PORTS	3/8" FNPT
PILOT CONNECTION PORT	1/4" FNPT
WEIGHT	8.43 lbs (3.82 KG)

PHONE: 504-340-0055
 FAX: 504-340-0056
 EMAIL: SALES@RUELCO.COM

1209 DISTRIBUTORS ROW
 NEW ORLEANS, LA 70123

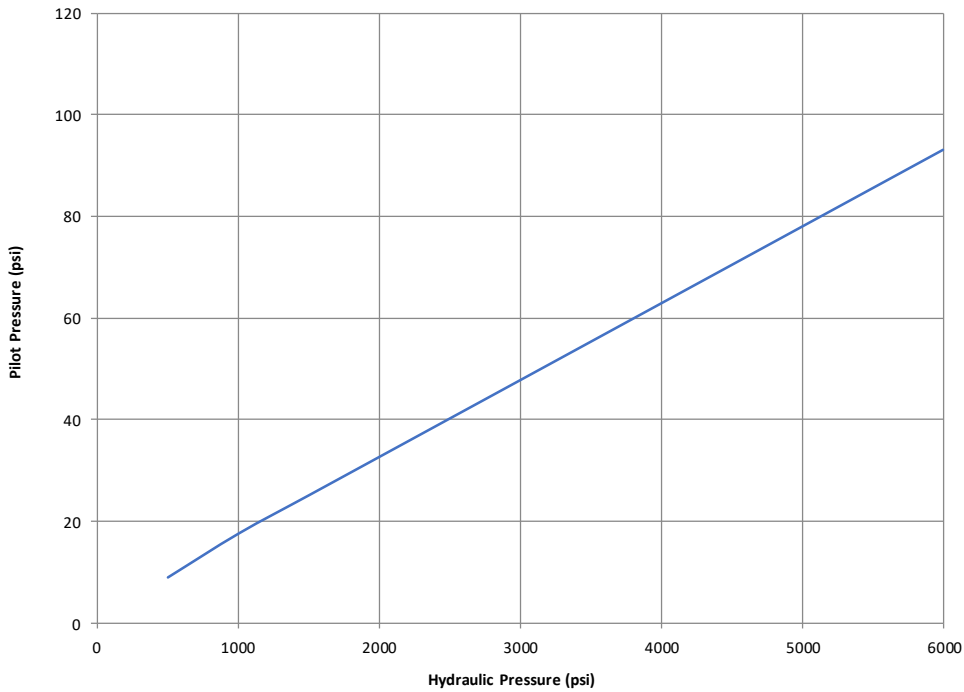
SPECIFICATIONS

MAXIMUM INSTRUMENT PRESSURE	200 PSI (13.8 BAR)
MAXIMUM WORKING PRESSURE	6,000 PSI (414 BAR)
BURST PRESSURE	7,500 PSI (517 BAR)
OUTLET ORIFICE SIZE	.312" (7.93 mm)
AMBIENT TEMPERATURE RANGE	-20° TO 250° F -20° TO 122° C

REPAIR KIT

- 81-039-000
- OTHER TEMPERATURE RANGES
AND SEAL COMPOUNDS AVAILABLE
UPON REQUEST

CONTROL PRESSURE CHART



PHONE: 504-340-0055
 FAX: 504-340-0056
 EMAIL: SALES@RUELCO.COM

1209 DISTRIBUTORS ROW
 NEW ORLEANS, LA 70123

PARTS LIST

ITEM	QUANTITY	DESCRIPTION	MATERIAL
1	1	KNOB	PLASTIC
2	1	PANEL MOUNT NUT	316 ST. STL.
3	1	OVERRIDE	NITRONIC
4*	1	OVERRIDE SEAL	FLUOROCARBON
5	1	CAP	316 ST. STL.
6	1	SNAP RING	316 ST. STL.
7	1	AIR RING	316 ST. STL.
8*	2	AIR RING SEALS	FLUOROCARBON
9*	1	PISTON SEAL	FLUOROCARBON
10	1	SPOOL ASSEMBLY	17-4 ST. STL. & 316 ST. STL.
11	1	PISTON SPRING	316 ST. STL.
12	1	BODY	316 ST. STL.
13*	1	SPOOL BACK-UP SEAL	TEFLON
14*	1	SPOOL SEAL	NITRILE
15*	1	SHAFT SEAL	FLUOROMYTE
16*	2	SLEEVE BACK-UP SEAL	TEFLON
17*	2	SLEEVE SEAL	NITRILE
18	1	SLEEVE	316 ST. STL.
19*	1	CENTER SEAL	PEEK
20*	1	BALL	TUNGSTEN CARBIDE
21	1	BOTTOM SLEEVE	316 ST. STL.
22	1	SPRING	316 ST. STL.
23*	1	BOTTOM CAP SEAL	NITRILE
24	1	BOTTOM CAP	316 ST. STL.

*Indicates item(s) contained in the Repair Kit

ORDERING CODE

8300 X 26000

BASE MODEL NUMBER

Standard Corrosive Service - (-)
N.A.C.E. Option - N

PHONE: 504-340-0055
FAX: 504-340-0056
EMAIL: SALES@RUELCO.COM

1209 DISTRIBUTORS ROW
NEW ORLEANS, LA 70123