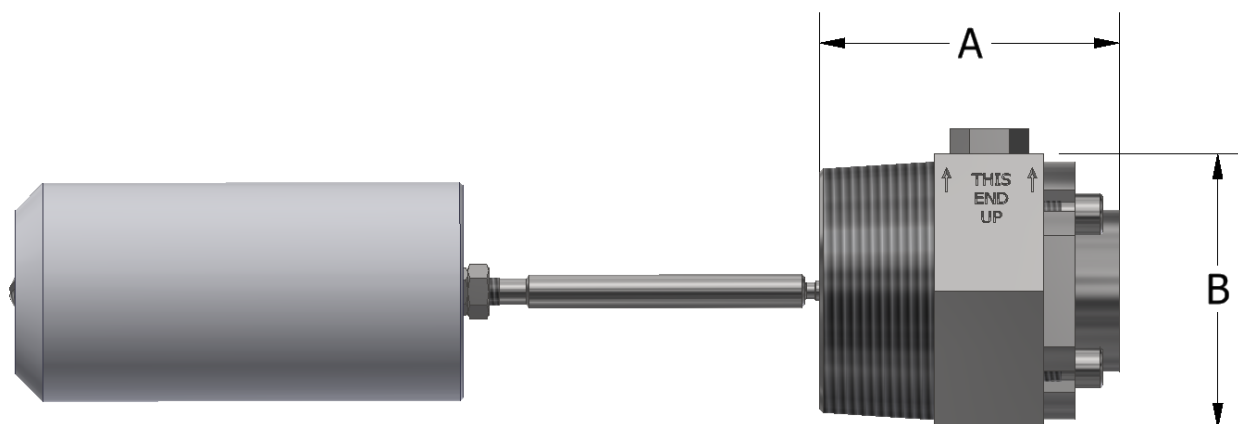


## OPERATION

The Ruelco Model 30C2 is a Pneumatic Liquid Level Switch. It incorporates 2" NPT thread giving it substantial mounting flexibility. The displacer operates a pneumatic valve when the liquid in a tank or pressure vessel reaches a predetermined level. The flex level operates as either a high or low level sensor, the mode of operation is selected simply by rotating the valve body 180 degrees. The standard pneumatic valve is a two way N.O. or N.C. valve which provides positive and fast system response. When used as a high level sensor, the valve will be N.C. when the liquid level is below the sensor. The valve for a low level sensor is N.O. when the liquid level is below the sensor.

## FEATURES

- 316 stainless steel construction (models to N.A.C.E. MR0175 available)
- Design has no deep cavities or recesses exposed to the process fluids for debris accumulation and is excellent for dirty fluid applications
- Uses a patented pivot seal mechanism to transmit liquid buoyancy to the valve operation mechanism with the pivot completely isolated from the process fluid
- Mode of operation (HI or LO) is easily changed and no re-calibration is required
- Level adjustments cannot be easily tampered with after installation, making this switch well suited for critical applications



## DIMENSIONS

A	2.72" (69 mm)
B	2.50" HEX (63.5 mm)
CONNECTION PORTS	1/4" FNPT
WEIGHT	3.3 LBS. (1.5 Kg.)

## SPECIFICATIONS

MAXIMUM WORKING PRESSURE	2,160 PSI (149 BAR)
MAXIMUM SUPPLY PRESSURE	50 PSI (3.44 BAR)
MINIMUM SPECIFIC GRAVITY	0.6
Cv FACTOR	.16

PNEUMATIC 2" NPT LEVEL SWITCH

PHONE: 504-340-0055  
 FAX: 504-340-0056  
 EMAIL: SALES@RUELCO.COM

1209 DISTRIBUTORS ROW  
 NEW ORLEANS, LA 70123

## PARTS LIST

ITEM	QUANTITY	DESCRIPTION	MATERIAL
1	1	DISPLACER ASSEMBLY	POLYPROPYLENE OR 316 ST. STL.
2	1	FLOAT ROD	316 ST. STL.
3	1	BODY SEAL RETAINER	316 ST. STL.
4*	1	BODY SEAL	FLUOROCARBON
5	1	BODY	316 ST. STL.
6	1	SPRING CAP	316 ST. STL.
7	1	SPRING	INCONEL
8	1	SPRING GUIDE	316 ST. STL.
9	4	SOCKET HEAD CAP SCREW	316 ST. STL.
10*	1	VALVE SEAT	FLUOROCARBON
11	1	VALVE BODY	CF-8M
12*	1	VALVE RETAINER SEAL	FLUOROCARBON
13	1	VALVE RETAINER	316 ST. STL.
14	1	VALVE POPPET	316 ST. STL.
15*	1	POPPET SEAL	FLUOROSILICONE
16*	1	REMOVABLE PIVOT	17-4 PH ST. STL.
17	1	CONE	17-4 PH ST. STL.
18	1	FLOAT ROD NUT	316 ST. STL.

\* INDICATES ITEMS IN THE REPAIR KIT

## REPAIR KIT

- 30-089-000

OTHER TEMPERATURE RANGES AND SEAL COMPOUNDS AVAILABLE UPON REQUEST

## ORDERING CODE

BODY CODE: 30C2

PHONE: 504-340-0055  
 FAX: 504-340-0056  
 EMAIL: SALES@RUELCO.COM

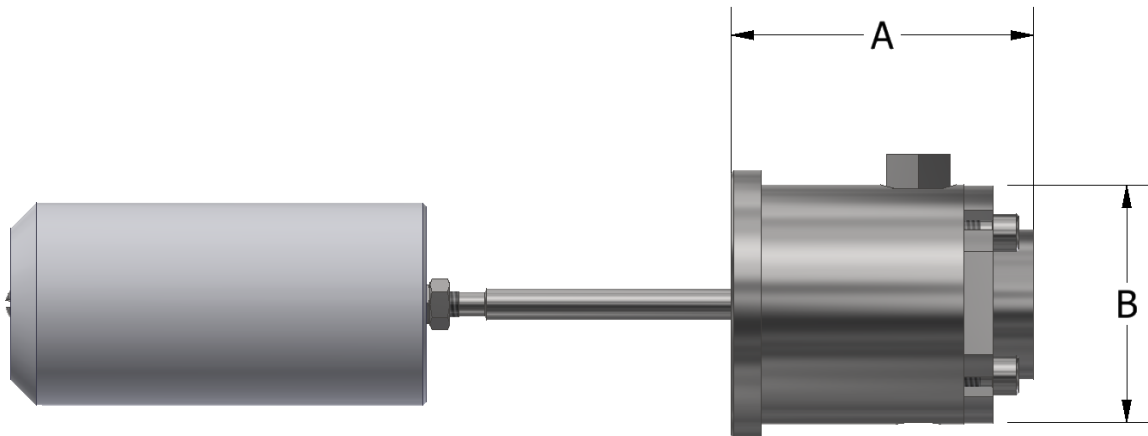
1209 DISTRIBUTORS ROW  
 NEW ORLEANS, LA 70123

## OPERATION

The Ruelco Model 31C2 is a Pneumatic Liquid Level Switch. It incorporates custom flange and gasket giving it substantial mounting flexibility. The displacer operates a pneumatic valve when the liquid in a tank or pressure vessel reaches a predetermined level. The flex level operates as either a high or low level sensor, the mode of operation is selected simply by rotating the valve body 180 degrees. The standard pneumatic valve is a two way N.O. or N.C. valve which provides positive and fast system response. When used as a high level sensor, the valve will be N.C. when the liquid level is below the sensor. The valve for a low level sensor is N.O. when the liquid level is below the sensor.

## FEATURES

- 316 stainless steel construction (models to N.A.C.E. MR0175 available)
- Design has no deep cavities or recesses exposed to the process fluids for debris accumulation and is excellent for dirty fluid applications
- Uses a patented pivot seal mechanism to transmit liquid buoyancy to the valve operation mechanism with the pivot completely isolated from the process fluid
- Mode of operation (HI or LO) is easily changed and no re-calibration is required
- Level adjustments cannot be easily tampered with after installation, making this switch well suited for critical applications



## DIMENSIONS

A	3.00" (76.2 mm)
B	2.37" (60.2 mm)
CONNECTION PORTS	1/4" FNPT
WEIGHT	3.3 LBS (1.5 Kg.)

## SPECIFICATIONS

MAXIMUM WORKING PRESSURE	2,160 PSI (149 BAR)
MAXIMUM SUPPLY PRESSURE	50 PSI (3.44 BAR)
MINIMUM SPECIFIC GRAVITY	0.6
Cv FACTOR	.16

PHONE: 504-340-0055  
 FAX: 504-340-0056  
 EMAIL: SALES@RUELCO.COM

1209 DISTRIBUTORS ROW  
 NEW ORLEANS, LA 70123

## PARTS LIST

ITEM	QUANTITY	DESCRIPTION	MATERIAL
1	1	DISPLACER ASSEMBLY	POLYPROPYLENE OR 316 ST. STL.
2	1	FLOAT ROD	316 ST. STL.
3	1	BODY SEAL RETAINER	316 ST. STL.
4*	1	BODY SEAL	FLUOROCARBON
5	1	FLANGE BODY	316 ST. STL.
6	1	SPRING CAP	316 ST. STL.
7	1	SPRING	INCONEL
8	1	SPRING GUIDE	316 ST. STL.
9	4	SOCKET HEAD CAP SCREW	316 ST. STL.
10*	1	VALVE SEAT	FLUOROCARBON
11	1	VALVE BODY	CF-8M
12*	1	VALVE RETAINER SEAL	FLUOROCARBON
13	1	VALVE RETAINER	316 ST. STL.
14	1	VALVE POPPET	316 ST. STL.
15*	1	POPPET SEAL	FLUOROSILICONE
16*	1	REMOVABLE PIVOT	17-4 PH ST. STL.
17	1	CONE	17-4 PH ST. STL.
18	1	FLOAT ROD NUT	316 ST. STL.

\* INDICATES ITEMS IN THE REPAIR KIT

## REPAIR KIT

- 30-089-000

OTHER TEMPERATURE RANGES AND SEAL COMPOUNDS AVAILABLE UPON REQUEST

## ORDERING CODE

BODY CODE: 31C2

PHONE: 504-340-0055  
 FAX: 504-340-0056  
 EMAIL: SALES@RUELCO.COM

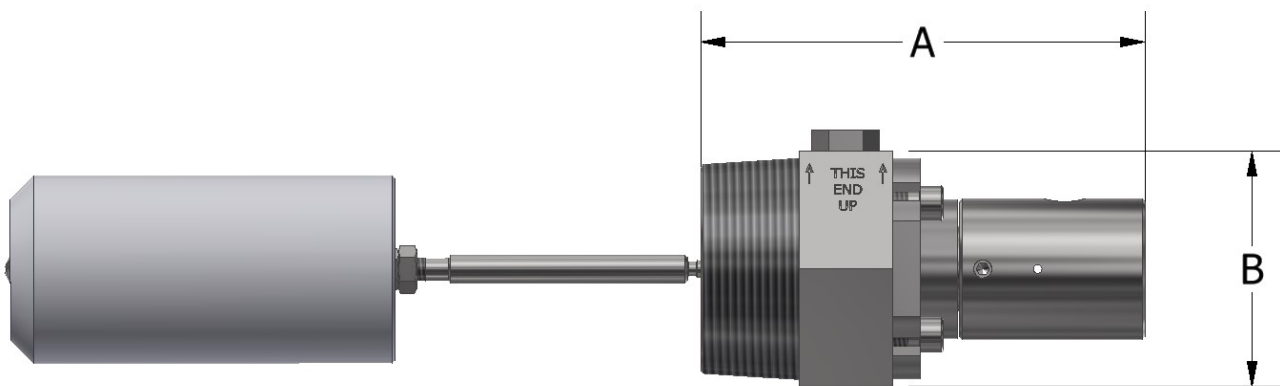
1209 DISTRIBUTORS ROW  
 NEW ORLEANS, LA 70123

## OPERATION

The Ruelco Model 35C2 is a 3-way pneumatic block and bleed, Liquid Level Switch. It incorporates 2" NPT thread giving it substantial mounting flexibility. The displacer operates a pneumatic valve when the liquid in a tank or pressure vessel reaches a predetermined level. The flex level operates as either a high or low level sensor, the mode of operation is selected simply by rotating the valve body 180 degrees. The 3-way pneumatic valve is a N.O. or N.C. block and bleed valve which provides positive and fast system response. When used as a high level sensor, the valve will be N.C. when the liquid level is below the sensor. The valve for a low level sensor is N.O. when the liquid level is below the sensor.

## FEATURES

- 316 stainless steel construction (models to N.A.C.E. MR0175 available)
- Design has no deep cavities or recesses exposed to the process fluids for debris accumulation and is excellent for dirty fluid applications
- Uses a patented pivot seal mechanism to transmit liquid buoyancy to the valve operation mechanism with the pivot completely isolated from the process fluid
- Mode of operation (HI or LO) is easily changed and no re-calibration is required
- Level adjustments cannot be easily tampered with after installation, making this switch well suited for critical applications



## DIMENSIONS

A	4.72"(119.8 mm)
B	2.50" HEX (63.5 mm)
CONNECTION PORTS	1/4" FNPT
WEIGHT	4.03 LBS. (1.83 Kg.)

## SPECIFICATIONS

MAXIMUM WORKING PRESSURE	2,160 PSI (149 BAR)
MAXIMUM SUPPLY PRESSURE	50 PSI (3.44 BAR)
MINIMUM SPECIFIC GRAVITY	0.6
Cv FACTOR	.12

PHONE: 504-340-0055  
 FAX: 504-340-0056  
 EMAIL: SALES@RUELCO.COM

1209 DISTRIBUTORS ROW  
 NEW ORLEANS, LA 70123

## PARTS LIST

ITEM	QUANTITY	DESCRIPTION	MATERIAL
1	1	DISPLACER ASSEMBLY	POLYPROPYLENE OR 316 ST. STL.
2	1	FLOAT ROD	316 ST. STL.
3	1	BODY SEAL RETAINER	316 ST. STL.
4*	1	BODY SEAL	FLUOROCARBON
5	1	BODY	316 ST. STL.
6	1	SPRING CAP	316 ST. STL.
7	1	SPRING	INCONEL
8	1	SPRING GUIDE	316 ST. STL.
9	4	SOCKET HEAD CAP SCREW	316 ST. STL.
10	1	VALVE BODY	CF-8M
11	1	3-WAY VALVE POPPET	316 ST. STL.
12*	2	POPPET WEAR RINGS	DELTRIN
13*	1	REMOVABLE PIVOT	17-4 PH ST. STL.
14	1	CONE	17-4 PH ST. STL.
15	1	FLOAT ROD NUT	316 ST. STL.
16	1	3-WAY VALVE BODY	316 ST. STL.
17	1	COLLAR	316 ST. STL.
18	3	COLLAR SET SCREWS	ST. STL.
19	1	RETAINER	316 ST. STL.
20*	1	RETAINER SEAL	FLUOROCARBON
21*	1	STINGER	ST. STL./ FLUOROCARBON
22	1	PUSH ROD ASSEMBLY	ST. STL.

\* INDICATES ITEMS IN THE REPAIR KIT

## REPAIR KIT

- 35-007-000

OTHER TEMPERATURE RANGES AND SEAL COMPOUNDS AVAILABLE UPON REQUEST

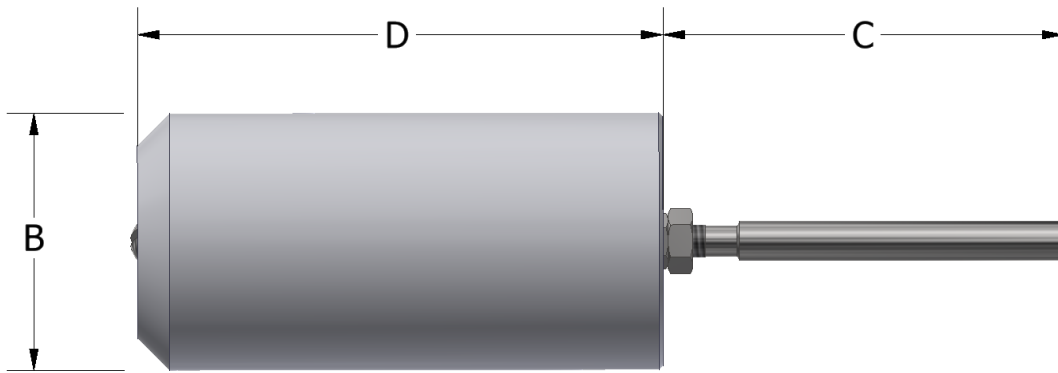
PHONE: 504-340-0055  
 FAX: 504-340-0056  
 EMAIL: SALES@RUELCO.COM

## ORDERING CODE

BODY CODE: 30C2

1209 DISTRIBUTORS ROW  
 NEW ORLEANS, LA 70123

# POLYPROPYLENE 3" ROD



## DIMENSIONS

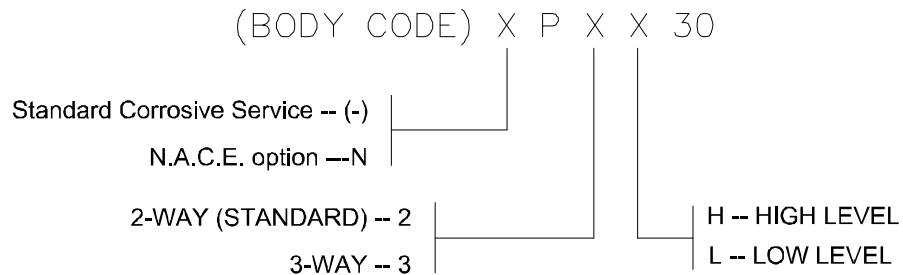
B	2.00" (50.8 mm)
C	3.25" (82.6 mm)
D	4.10" (104.14 mm)

## SPECIFICATIONS

MAXIMUM WORKING PRESSURE	2,160 PSI (149 BAR)
AMBIENT TEMPERATURE RANGE	-20 TO 250° F -29 TO 122° C
MAXIMUM PROCESS TEMPERATURE	200°F (93°C)

DISPLACERS

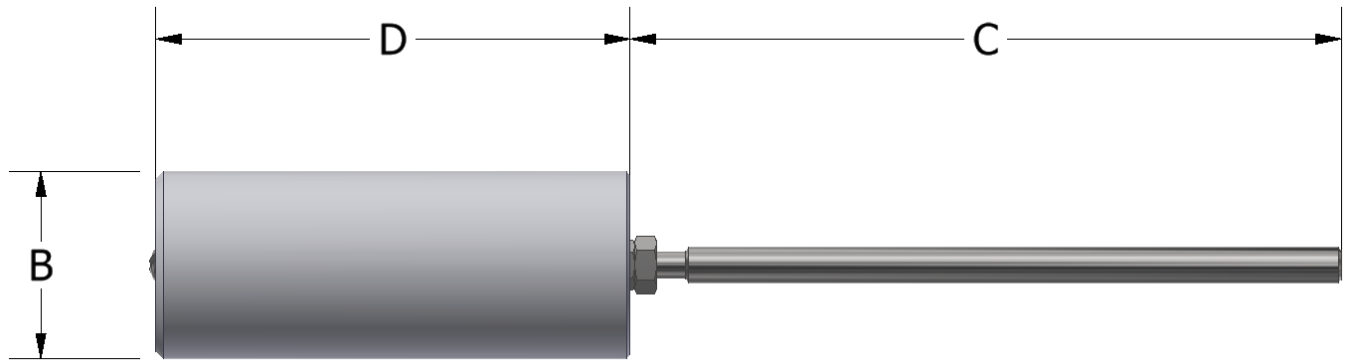
## ORDERING CODE



PHONE: 504-340-0055  
 FAX: 504-340-0056  
 EMAIL: SALES@RUELCO.COM

1209 DISTRIBUTORS ROW  
 NEW ORLEANS, LA 70123

# POLYPROPYLENE 6" ROD



## DIMENSIONS

B	1.62" (41.3 mm)
C	6.50" (165.1 mm)
D	4.10" (104.14 mm)

## SPECIFICATIONS

MAXIMUM WORKING PRESSURE	2,160 PSI (149 BAR)
AMBIENT TEMPERATURE RANGE	-20 TO 250° F -29 TO 122° C
MAXIMUM PROCESS TEMPERATURE	200°F (93°C)

DISPLACERS

## ORDERING CODE

(BODY CODE) X P X X 60

Standard Corrosive Service -- (-)

N.A.C.E. option ---N

2-WAY (STANDARD) -- 2

3-WAY -- 3

H -- HIGH LEVEL

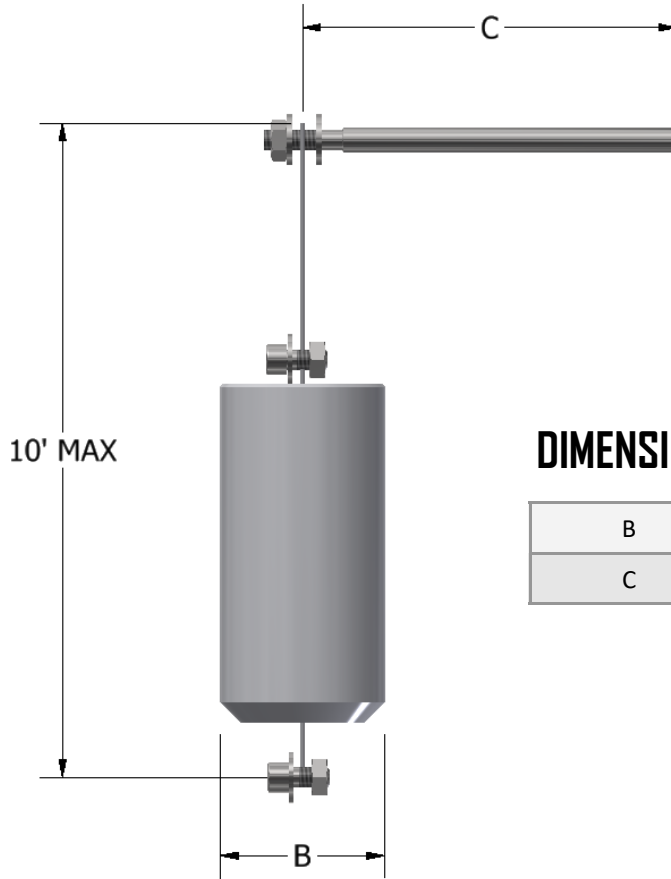
L -- LOW LEVEL

PHONE: 504-340-0055  
 FAX: 504-340-0056  
 EMAIL: SALES@RUELCO.COM

1209 DISTRIBUTORS ROW  
 NEW ORLEANS, LA 70123



# POLYPROPYLENE 10' HANGDOWN



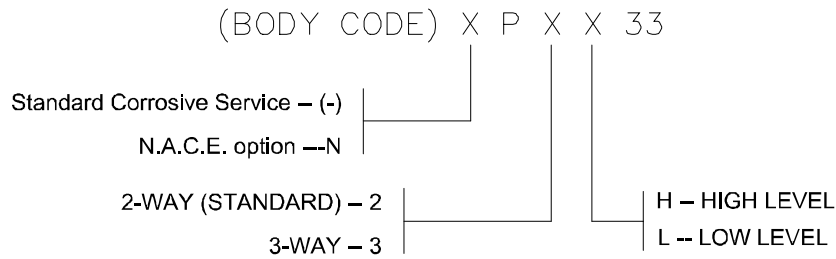
## DIMENSIONS

B	2.00" (50.8 mm)
C	4.50" (114.3 mm)

## SPECIFICATIONS

MAXIMUM WORKING PRESSURE	2,160 PSI (149 BAR)
AMBIENT TEMPERATURE RANGE	-20 TO 250° F -29 TO 122° C
MAXIMUM PROCESS TEMPERATURE	200° F (93°C)

## ORDERING CODE

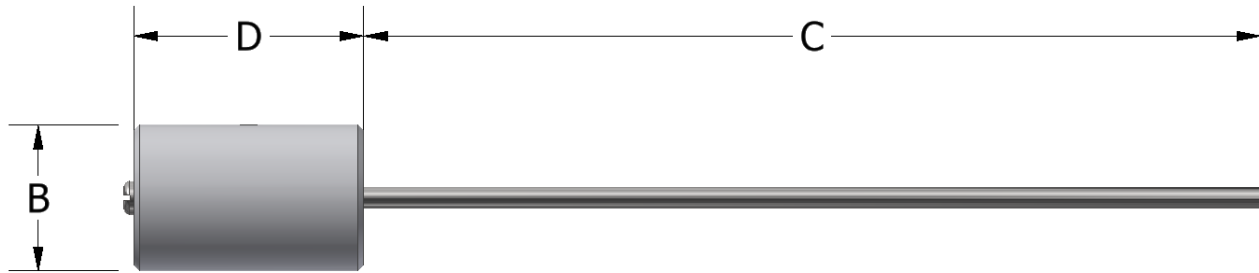


PHONE: 504-340-0055  
 FAX: 504-340-0056  
 EMAIL: SALES@RUELCO.COM

1209 DISTRIBUTORS ROW  
 NEW ORLEANS, LA 70123

DISPLACERS

# POLYPROPYLENE EXTENDED ROD



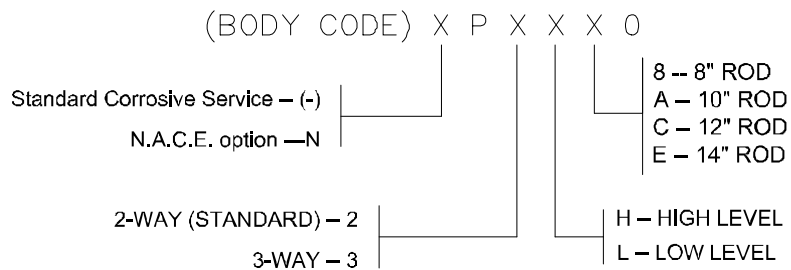
## DIMENSIONS

	8" ROD	10" ROD	12" ROD	14" ROD
B	1.62" (41.3 mm)	1.62" (41.3 mm)	1.62" (41.3 mm)	1.50" (38.1 mm)
C	6.72" (170.7 mm)	9.95" (252.7 mm)	12.19" (309.6 mm)	13.75" (349.3 mm)
D	3.00" (76.2 mm)	2.55" (64.8 mm)	2.12" (53.8 mm)	2.30" (58.4 mm)

## SPECIFICATIONS

MAXIMUM WORKING PRESSURE	2,160 PSI (149 BAR)
AMBIENT TEMPERATURE RANGE	-20 TO 250° F -29 TO 122° C
MAXIMUM PROCESS TEMPERATURE	200°F (93°C)

## ORDERING CODE

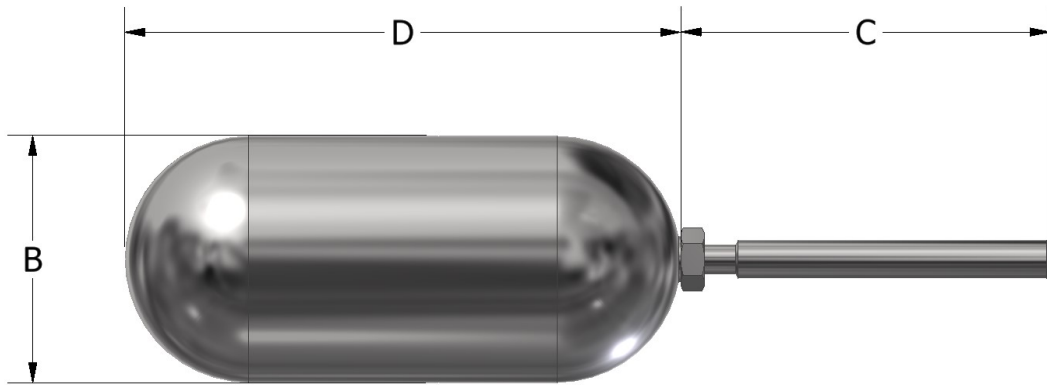


PHONE: 504-340-0055  
 FAX: 504-340-0056  
 EMAIL: SALES@RUELCO.COM

1209 DISTRIBUTORS ROW  
 NEW ORLEANS, LA 70123

DISPLACERS

# 316 ST. STL. 3" ROD



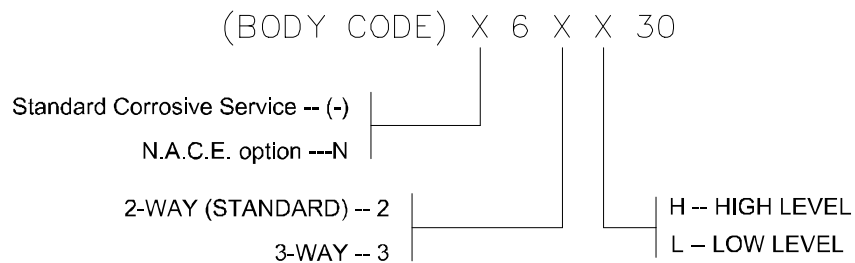
## DIMENSIONS

B	2.00" (50.8 mm)
C	3.25" (82.6 mm)
D	4.50" (114.3 mm)

## SPECIFICATIONS

MAXIMUM WORKING PRESSURE	2,160 PSI (149 BAR)
AMBIENT TEMPERATURE RANGE	-20 TO 300° F -29 TO 148° C
MAXIMUM PROCESS TEMPERATURE	300°F (148°C)

## ORDERING CODE

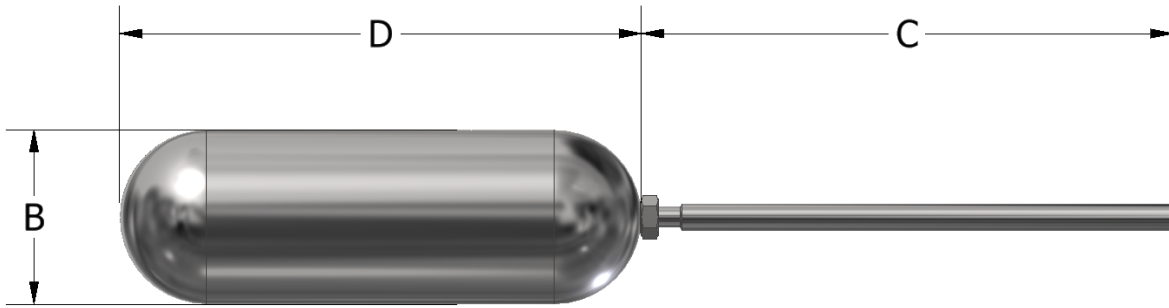


PHONE: 504-340-0055  
 FAX: 504-340-0056  
 EMAIL: SALES@RUELCO.COM

1209 DISTRIBUTORS ROW  
 NEW ORLEANS, LA 70123

DISPLACERS

# 316 ST. STL. 6" ROD



## DIMENSIONS

B	2.00" (50.8 mm)
C	6.50" (165.1 mm)
D	6.00" (152.4 mm)

## SPECIFICATIONS

MAXIMUM WORKING PRESSURE	300 PSI (20.68 BAR)
AMBIENT TEMPERATURE RANGE	-20 TO 300° F -29 TO 148° C
MAXIMUM PROCESS TEMPERATURE	300°F (148°C)

## ORDERING CODE

(BODY CODE) SA0002 X X X 60

Standard Corrosive Service -- (-)

N.A.C.E. option ---N

2-WAY (STANDARD) -- 2

3-WAY -- 3

H -- HIGH LEVEL

L -- LOW LEVEL

PHONE: 504-340-0055  
 FAX: 504-340-0056  
 EMAIL: SALES@RUELCO.COM

1209 DISTRIBUTORS ROW  
 NEW ORLEANS, LA 70123

DISPLACERS