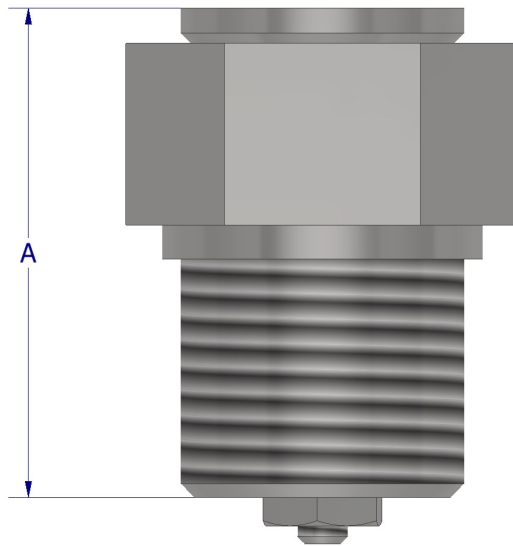


OPERATION

The Ruelco Popoff Relief Valve is a stainless steel, soft seat, poppet relief valve capable of relieving pressures up to 150 psi. The size of the valve makes it ideal for small spaces while the stainless steel construction allows the valve to operate in highly corrosive systems.

FEATURES

- 316 stainless steel construction
- Leak free seal
- Large Cv factor for high flow rates
- Small compact design
- Tamper proof adjustment
- Accurate and repeatable set point



POPOFF RELIEF VALVE

DIMENSIONS

A	1.08" (27.4 mm)
HEX	.75" (19.05 mm)
INTERNAL DIAMETER	.450" (11.43 mm)
CONNECTION SIZES	VARIOUS
WEIGHT	.08 LBS (.036 Kg)

SPECIFICATIONS

MAXIMUM WORKING PRESSURE	200 PSI (13.8 BAR)
AMBIENT TEMPERATURE RANGE	-20° TO 250° F
	-29° TO 121° C
RESET	± 10% OF RANGE
ACCURACY	± 5% OF SETPOINT
Cv	.42

PHONE: 504-340-0055
FAX: 504-340-0056
EMAIL: SALES@RUELCO.COM

1209 DISTRIBUTORS ROW
NEW ORLEANS, LA 70123

PARTS LIST

ITEM	QUANTITY	DESCRIPTION	MATERIAL
1	1	BODY	316 ST. STL.
2	1	POPPET	316 ST. STL.
3*	1	POPPET SEAL	NITRILE
4	1	SPRING	SPRING WIRE
5	1	RETAINER	316 ST. STL.
6	1	RETAINER NUT	ST. STL.

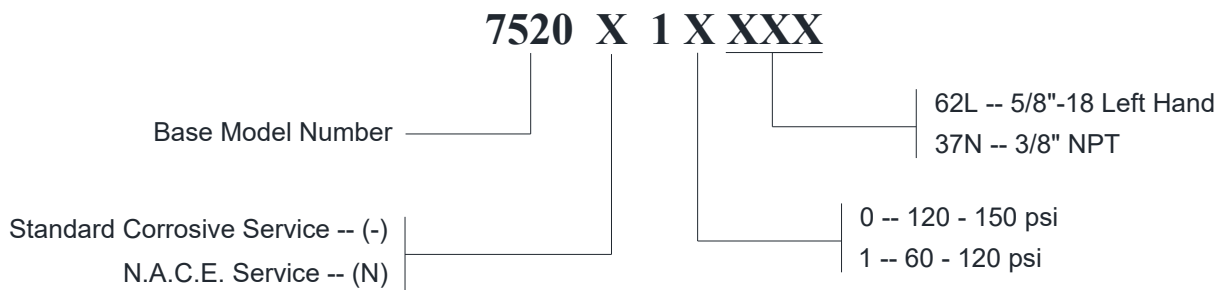
* INDICATES ITEMS IN THE REPAIR KIT

REPAIR KIT

- 75-104-000

OTHER TEMPERATURE RANGES AND SEAL COMPOUNDS AVAILABLE UPON REQUEST

ORDERING CODE



PHONE: 504-340-0055
 FAX: 504-340-0056
 EMAIL: SALES@RUELCO.COM

1209 DISTRIBUTORS ROW
 NEW ORLEANS, LA 70123