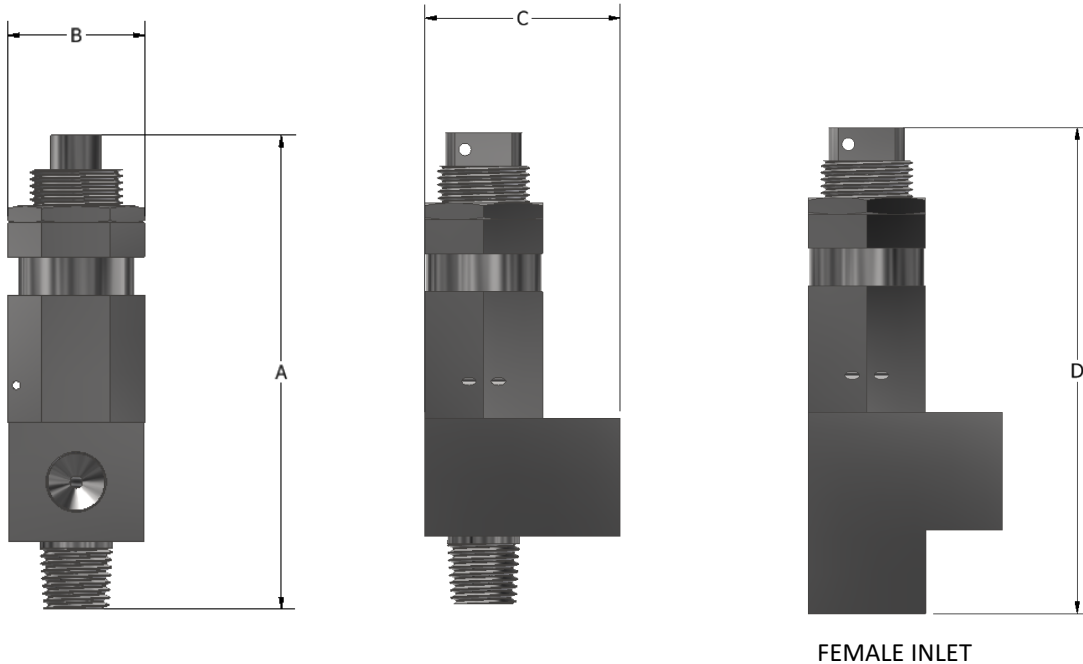


OPERATION

The Ruelco RV-1 Relief Valve is a stainless steel, soft seat, poppet relief valve capable of relieving pressures from 50 psi to 1,250 psi. The size of the valve makes it ideal for small spaces while the stainless steel construction allows the valve to operate in highly corrosive systems.

FEATURES

- 316 stainless steel construction
- Externally adjustable
- Wide adjustable ranges using only three springs
- 100% tested
- Compact design



DIMENSIONS

A	3.50" (88.9 mm)
B	1.00" (25.4 mm)
C	1.50" (38.1 mm)
D	3.62" (91.9 mm)
PORT SIZES	1/4" NPT
WEIGHT	.5 LBS (.24 Kg)

SPECIFICATIONS

MAXIMUM WORKING PRESSURE	10,000 PSI (690 BAR)
AMBIENT TEMPERATURE RANGE	-20° TO 250° F
	-29° TO 121° C
RESET	± 10% OF RANGE
ACCURACY	± 5% OF SETPOINT
Cv	.12

LOW PRESSURE RELIEF VALVE

PHONE: 504-340-0055
 FAX: 504-340-0056
 EMAIL: SALES@RUELCO.COM

1209 DISTRIBUTORS ROW
 NEW ORLEANS, LA 70123

PARTS LIST

ITEM	QUANTITY	DESCRIPTION	MATERIAL
1	1	SPRING CAP	316 ST. STL.
2	1	LOCK NUT	316 ST. STL.
3	1	SPRING HOUSING	316 ST. STL.
4A	1	BLUE SPRING	SPRING WIRE
4B	-	RED SPRING	SPRING WIRE
4C	-	GOLD SPRING	SPRING WIRE
5	1	SPRING PLATE	316 ST. STL.
6*	1	BODY SEAL	NITRILE
7	1	RELIEF VALVE BODY	316 ST. STL.
8	1	SEAL GUIDE	316 ST. STL.
9*	1	HEAD SEAL	FLUOROCARBON
10	1	OUTER SLEEVE	316 ST. STL.
11*	1	PISTON SEAL	NITRILE
12	1	PISTON	17-4 PH ST. STL

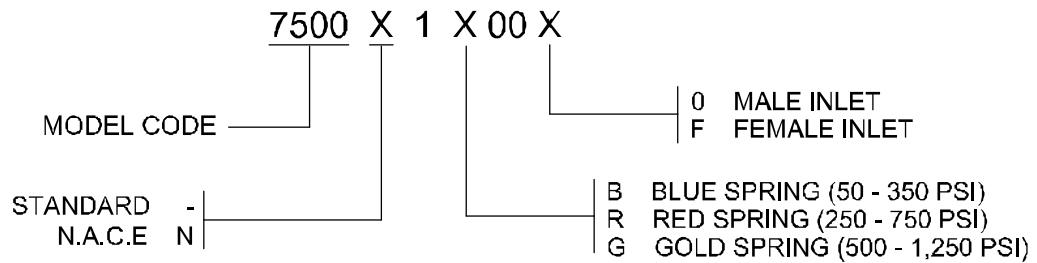
* INDICATES ITEMS IN THE REPAIR KIT

REPAIR KIT

- 75-023-000

OTHER TEMPERATURE RANGES AND SEAL COMPOUNDS AVAILABLE UPON REQUEST

ORDERING CODE



PHONE: 504-340-0055
 FAX: 504-340-0056
 EMAIL: SALES@RUELCO.COM

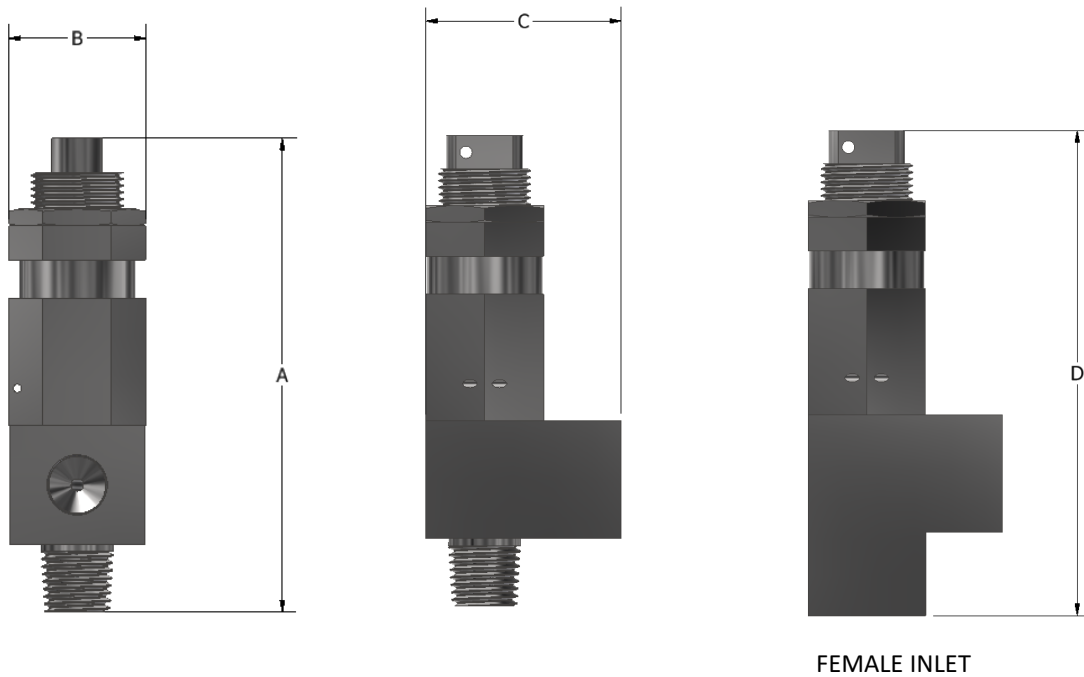
1209 DISTRIBUTORS ROW
 NEW ORLEANS, LA 70123

OPERATION

The Ruelco RV-1 Relief Valve is a stainless steel, soft seat, poppet relief valve capable of relieving pressures from 250 psi to 10,000 psi. The size of the valve makes it ideal for small spaces while the stainless steel construction allows the valve to operate in highly corrosive systems.

FEATURES

- 316 stainless steel construction
- Externally adjustable
- Wide adjustable ranges using only three springs
- 100% tested



DIMENSIONS

A	3.50" (88.9 mm)
B	1.00" (25.4 mm)
C	1.50" (38.1 mm)
D	3.62" (91.9 mm)
PORT SIZES	1/4" NPT
WEIGHT	.5 LBS (.24 Kg)

SPECIFICATIONS

MAXIMUM WORKING PRESSURE	10,000 PSI (690 BAR)
AMBIENT TEMPERATURE RANGE	-20° TO 250° F
	-29° TO 121° C
RESET	± 10% OF RANGE
ACCURACY	± 5% OF SETPOINT
Cv	.12

MEDIUM PRESSURE RELIEF VALVE

PHONE: 504-340-0055
 FAX: 504-340-0056
 EMAIL: SALES@RUELCO.COM

1209 DISTRIBUTORS ROW
 NEW ORLEANS, LA 70123

PARTS LIST

ITEM	QUANTITY	DESCRIPTION	MATERIAL
1	1	SPRING CAP	316 ST. STL.
2	1	LOCK NUT	316 ST. STL.
3	1	SPRING HOUSING	316 ST. STL.
4A	1	BLUE SPRING	SPRING WIRE
4B	-	RED SPRING	SPRING WIRE
4C	-	GOLD SPRING	SPRING WIRE
5	1	SPRING PLATE	316 ST. STL.
6*	1	BODY SEAL	NITRILE
7	1	RELIEF VALVE BODY	316 ST. STL.
8	1	SEAL GUIDE	316 ST. STL.
9*	1	HEAD SEAL	FLUOROCARBON
10	1	OUTER SLEEVE	316 ST. STL.
11*	1	PISTON SEAL	NITRILE
12	1	PISTON	17-4 PH ST. STL

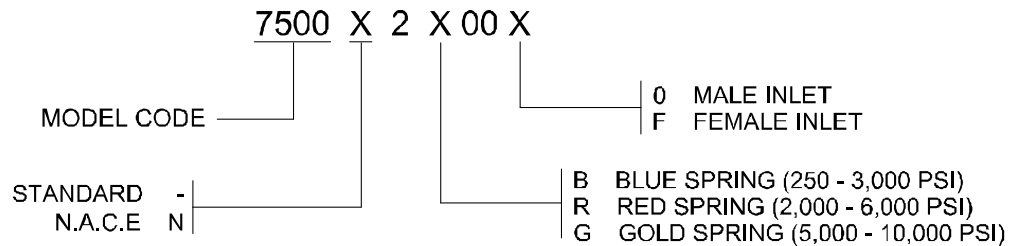
* INDICATES ITEMS IN THE REPAIR KIT

REPAIR KIT

- 75-015-000

OTHER TEMPERATURE RANGES AND SEAL COMPOUNDS AVAILABLE UPON REQUEST

ORDERING CODE



PHONE: 504-340-0055
 FAX: 504-340-0056
 EMAIL: SALES@RUELCO.COM

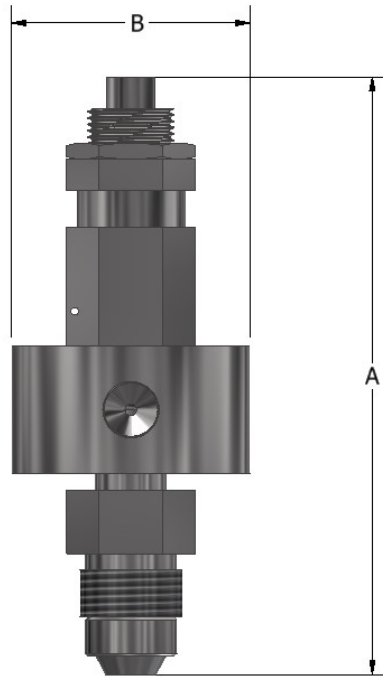
1209 DISTRIBUTORS ROW
 NEW ORLEANS, LA 70123

OPERATION

The Ruelco RV-1 Relief Valve is a stainless steel, soft seat, poppet relief valve capable of relieving pressures from 250 psi to 15,000 psi. The size of the valve makes it ideal for small spaces while the stainless steel construction allows the valve to operate in highly corrosive systems.

FEATURES

- 316 stainless steel construction
- Externally adjustable
- Wide adjustable ranges using only three springs
- 100% tested



HIGH PRESSURE RELIEF VALVE

DIMENSIONS

A	4.55" (115.6 mm)
B	1.88" (47.8 mm)
VENT PORT SIZE	1/4" FNPT
INLET PORT SIZE	9/16" MP CONE 3/8" MP CONE
WEIGHT	.7 LBS (.32 Kg)

SPECIFICATIONS

MAXIMUM WORKING PRESSURE	15,000 PSI (1034 BAR)
AMBIENT TEMPERATURE RANGE	-20° TO 250° F -29° TO 121° C
RESET	± 10% OF RANGE
ACCURACY	± 5% OF SETPOINT
Cv	.12

PHONE: 504-340-0055
 FAX: 504-340-0056
 EMAIL: SALES@RUELCO.COM

1209 DISTRIBUTORS ROW
 NEW ORLEANS, LA 70123

PARTS LIST

ITEM	QUANTITY	DESCRIPTION	MATERIAL
1	1	SPRING CAP	316 ST. STL.
2	1	LOCK NUT	316 ST. STL.
3	1	SPRING HOUSING	316 ST. STL.
4A	1	BLUE SPRING	SPRING WIRE
4B	-	RED SPRING	SPRING WIRE
4C	-	GOLD SPRING	SPRING WIRE
5	1	SPRING PLATE	316 ST. STL.
6*	1	BODY SEAL	NITRILE
7	1	RELIEF VALVE BODY	17-4 PH ST. STL.
8	1	SEAL GUIDE	316 ST. STL.
9*	1	HEAD SEAL	URETHANE
10	1	OUTER SLEEVE	316 ST. STL.
11*	1	PISTON SEAL	NITRILE
12	1	PISTON	17-4 PH ST. STL.

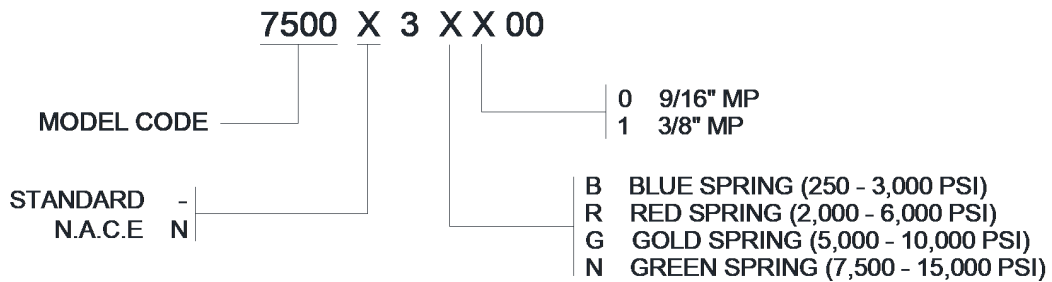
* INDICATES ITEMS IN THE REPAIR KIT

REPAIR KIT

- 75-034-000

OTHER TEMPERATURE RANGES AND SEAL COMPOUNDS AVAILABLE UPON REQUEST

ORDERING CODE



PHONE: 504-340-0055
 FAX: 504-340-0056
 EMAIL: SALES@RUELCO.COM

1209 DISTRIBUTORS ROW
 NEW ORLEANS, LA 70123